



**POD DRIVE EVO USER MANUAL**  
**BEDIENUNGSANLEITUNG POD DRIVE EVO**  
**Pod Drive 1.0 / Pod Drive 3.0 / Pod Drive 6.0**

2022.11 Version 2.0

Copyright © 2022 ePropulsion. All Rights Reserved



## Acknowledgement

---

Thanks for choosing ePropulsion products, your trust and support in our company are sincerely appreciated. We are dedicated to providing high-performance electric outboards, electric pod drives, sup/kayak motors, reliable lithium batteries and accessories.

Welcome to visit [www.epropulsion.com](http://www.epropulsion.com) and contact us if you have any concerns.

## Using This Manual

---

Before use of the product, please read this user manual thoroughly to understand the correct and safe operations. By using this product, you hereby agree that you have fully read and understood all contents of this manual. ePropulsion accepts no liability for any damage or injury caused by operations that contradict this manual.

Due to ongoing optimization of our products, ePropulsion reserves the rights of constantly adjusting the contents described in the manual. ePropulsion also reserves the intellectual property rights and industrial property rights including copyrights, patents, logos and designs, etc.

This manual is subject to update without prior notice, please visit our website [www.epropulsion.com](http://www.epropulsion.com) for the latest version. If you find any discrepancy between your products and this manual, or should you have any doubts concerning the product or the manual, please visit [www.epropulsion.com](http://www.epropulsion.com).

ePropulsion reserves the rights of final interpretation of this manual.

This manual is multilingual, in case of any discrepancy in the interpretation of different language versions, the English version shall prevail.

## Symbols

---

The following symbols will help to acquire some key information.



Important instructions or warnings



Useful information or tips

# Product Identification

Below picture indicates the serial numbers of Pod Drive Evo. Please note the position of the serial numbers and record them for access to warranty service and other after-sale services.

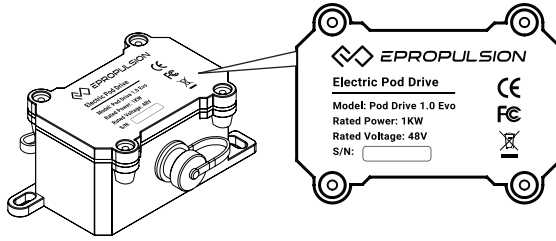


Figure 0-1

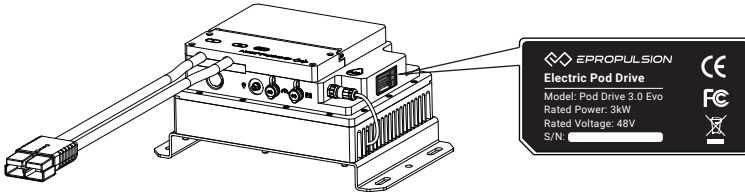


Figure 0-2

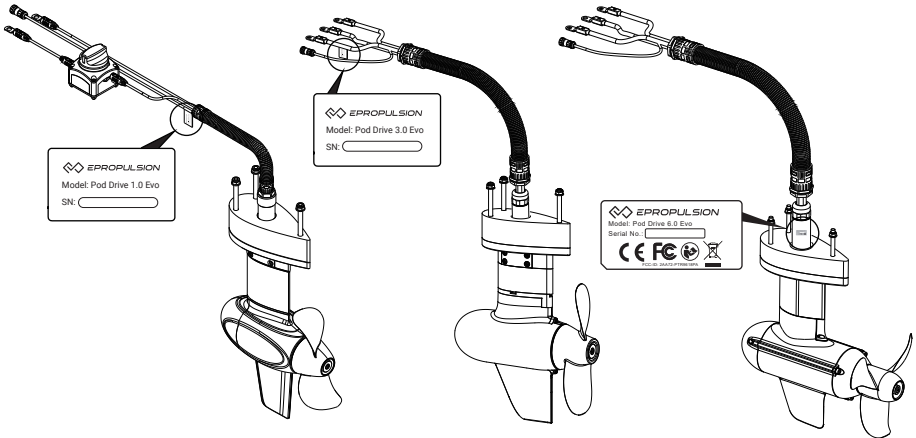


Figure 0-3

Figure 0-4

Figure 0-5

# Table of Contents

<b>Acknowledgement</b> .....	<b>1</b>
<b>Using This Manual</b> .....	<b>1</b>
<b>Symbols</b> .....	<b>1</b>
<b>Product Identification</b> .....	<b>2</b>
<b>1 Product Overview</b> .....	<b>5</b>
1.1 In the Package .....	5
1.2 Parts and Diagrams.....	8
1.3 Technical Data.....	10
1.4 Declaration of Conformity.....	11
1.5 Important Notes .....	12
<b>2 Checking the Propeller</b> .....	<b>13</b>
<b>3 Mounting the Motor</b> .....	<b>15</b>
<b>4 Connecting the Battery</b> .....	<b>21</b>
4.1 Connecting the E Battery .....	21
4.2 Connecting a 48V Battery .....	22
4.3 Connecting a SPIRIT Battery Plus (Only for Pod Drive 1.0 Evo) .....	23
<b>5 Evo Remote Control</b> .....	<b>24</b>
5.1 Display Panel .....	24
5.2 Charging.....	28
5.2.1 Charging by Solar Power .....	28
5.2.2 Charging by Wired Connection .....	28
5.3 Power Adjusting .....	30
5.3.1 Power Adjusting for Evo Remote Control.....	30
5.3.2 Recalibration .....	31
5.4 Use of Kill Switch.....	32
5.5 Use of Safety Wristband .....	33
5.5.1 Pairing Safety Wristband with Remote Control .....	33
5.5.2 Man Overboard Protection .....	33
5.5.3 Emergency Stop.....	33
5.6 Pairing Remote Control with the Pod Drive .....	34

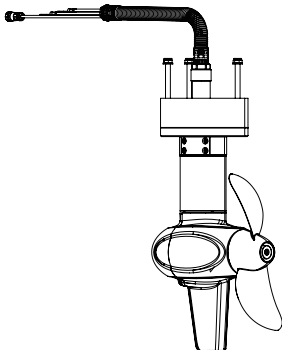
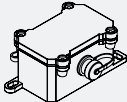
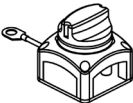
5.7 Warning Messages.....	36
<b>6 Configurations.....</b>	<b>38</b>
6.1 Preference Settings.....	38
6.2 Battery Configuration.....	38
<b>7 Checklist before Use.....</b>	<b>41</b>
<b>8 Starting the Pod Drive.....</b>	<b>41</b>
<b>9 Stopping the Pod Drive .....</b>	<b>42</b>
<b>10 Hydro Generation Function .....</b>	<b>43</b>
<b>11 Maintenance.....</b>	<b>44</b>
11.1 Contents and precautions of daily maintenance .....	44
11.1 Propeller Maintenance.....	44
11.2 Replacing the Anode.....	44
11.3 Maintenance of Electrical Contacts.....	46
<b>12 Transport and Storage .....</b>	<b>47</b>
<b>12 Emergency Situations.....</b>	<b>48</b>
12.1 Collision .....	48
12.2 Low Battery Level.....	48
<b>13 Warranty .....</b>	<b>49</b>
Out of Warranty .....	50
Limited Warranty Claim Procedures.....	50

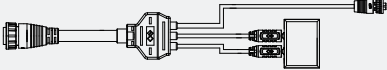
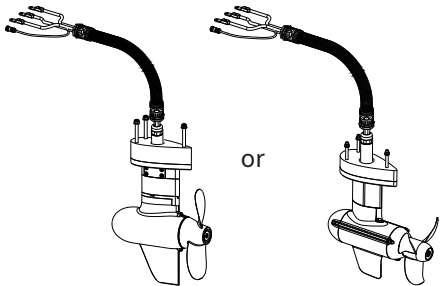
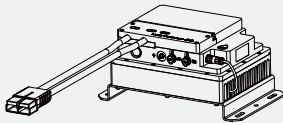
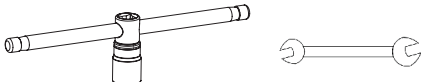

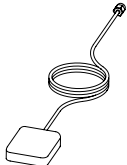
# 1 Product Overview

Pod Drive 1.0/3.0/6.0 Evo are the electric pod drive system of 1kW/3kW/6kW input power, controlled by either Evo Remote Control or Evo Side Mount Control. Pod is gaining increasing population among boat owners in recent decades. But available premium electric pod systems are rare. Electric pod drives are environment-friendly, clean and very efficient. This electric pod drive system is equivalent of 3hp/6hp/9.9hp, perfect for recreational small and medium sized boats such as sailboats and some motor boats.

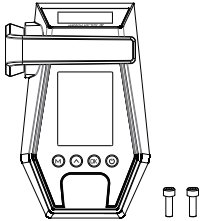
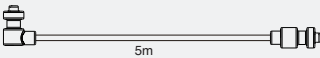
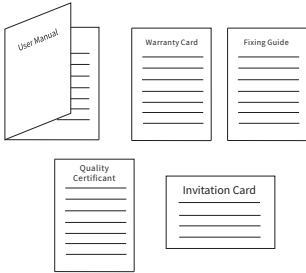
## 1.1 In the Package

When you receive a set of Pod Drive Evo, unpack its package and check if all the items below are included in the package. If there is any loss or transport damage, please contact your dealer immediately.

Items	Qty./Unit	Figure
<b>Pod Drive 1.0 Evo</b>		
Pod Motor	1 Set	
Communication Module	1 Set	
Power Switch	1 Set	

Items	Qty./Unit	Figure
Connection Cable for Pod 1.0 Evo and Spirit Battery Plus (Purchased separately)	1 Set	
<b>Pod Drive 3.0 Evo &amp; Pod Drive 6.0 Evo</b>		
Pod Motor	1 Set	
Driver Module	1 Set	
Wrench Set	1 Set	
Main Switch Cable	1 Set	
External GPS Antenna	1 Set	



Items	Qty./Unit	Figure
<b>Shared by Pod Drive Evo</b>		
Evo Remote Control (Purchased separately)	1 Set	
Communication Cable	1 Set	
User Manual, Fixing Guide, Warranty Card, Invitation Card & Quality Certificate	1 Set	

- 💡 The Evo Remote Control need to be purchased separately.
- 💡 Other accessories such as batteries, charger, etc. appearing in this manual but not included in this package list require users to purchase them from ePropulsion authorized dealers.
- 💡 Save ePropulsion original package for transport and storage.

# 1.2 Parts and Diagrams

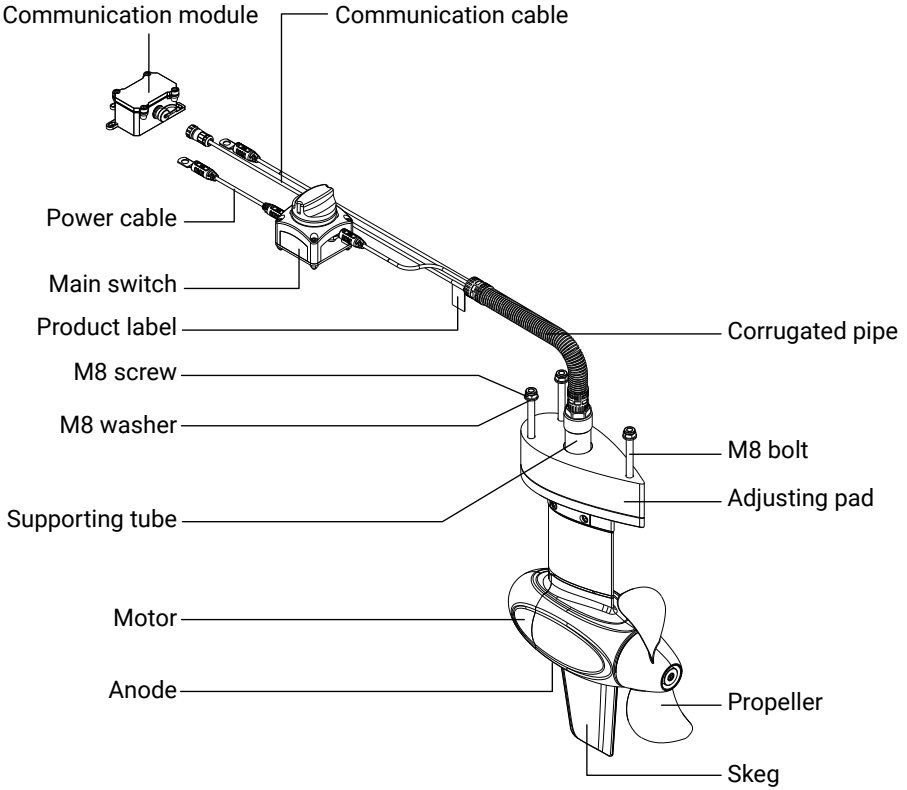


Figure 1-1 Pod Drive 1.0 Evo

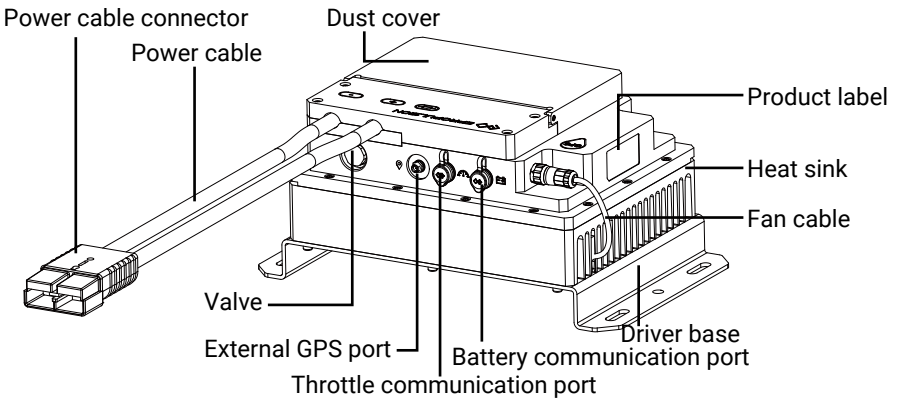


Figure 1-2 Pod Drive 3.0 Evo & Pod Drive 6.0 Evo Driver

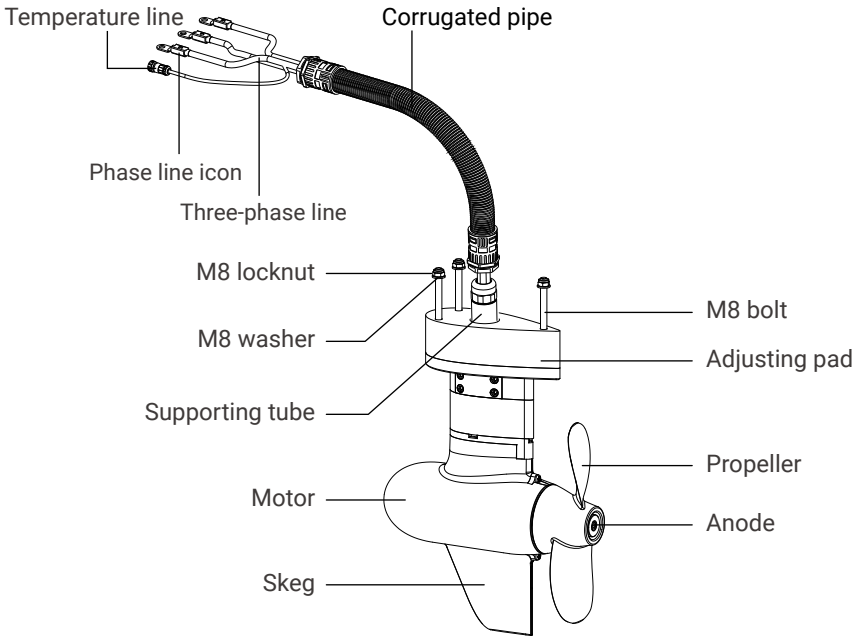


Figure 1-3 Pod Drive 3.0 Evo

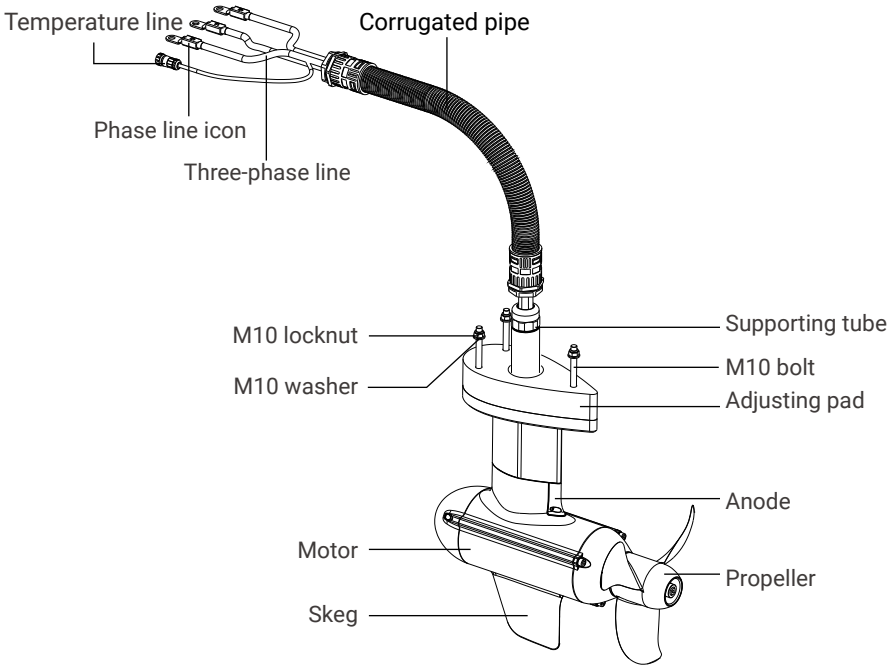


Figure 1-4 Pod Drive 6.0 Evo

### 1.3 Technical Data

	Pod Drive 1.0 Evo	Pod Drive 3.0 Evo	Pod Drive 6.0 Evo
Type	Electric Pod Drive Motor		
Input Power	1 kW	3 kW	6 kW
Rated Voltage	48V		
Equivalent Power	3 hp	6 hp	9.9 hp
Max Overall Efficiency	55%	51%	57%
Rated Rotation Speed	1200 rpm	2300 rpm	1500 rpm
Control System	Evo Remote Control / Evo Side Mount Control / Evo Dual Remote Control		
Weight	6.2 kg / 13.7 lbs	15.3 kg / 33.7 lbs	31kg / 68.3 lbs
Propeller (Diameter × Pitch)	11" × 5.8" composite propeller, two-blade	10.2" × 6.7" composite propeller, two-blade	12.6" × 8.7" aluminum propeller, three-blade

External Battery Requirement	
Type	Lead-acid Battery or Lithium Battery
Rated Voltage	48 V
Minimum Voltage	39 V
Maximum Voltage	60 V
Minimum Continuous Discharge Current	28 A
Internal Resistance	<100 mΩ

## 1.4 Declaration of Conformity

### Object of the Declaration:

Product: Electric Outboard Motor

Model: Pod Drive 1.0 Evo, Pod Drive 3.0 Evo, Pod Drive 6.0 Evo

**Company Name:** Guangdong ePropulsion Technology Limited

**Address:** Room 201, Bldg.17A, 4th XinZhu Road, SongShan Lake District, Dongguan City, Guangdong Province, China

The object of the declaration is in conformity with the following directives:


EMC-directive	2014/30/EU
MD-directive	2006/42/EC
RED-directive	2014/53/EU

Applied Standards:

EN 55014-1:2017	EN 300328:2019
EN 55014-2:2015	EN 50663:2017
EN 61000-3-2:2014	EN 62368-1:2014+A1:2017
EN 61000-3-3:2013/A1:2019	EN 60204-1:2018
EN 301489-1:2019	EN ISO 12100:2010
EN 301489-3:2019	

This device complies with part 15 of the FCC Rules: Operation is subject to the following two conditions:

1. This device may not cause harmful interference and,
2. This device must accept any interference received, including interference that may cause undesired operation.

Signature: 

Shizheng Tao, Chief Executive Officer & Cofounder of  
Guangdong ePropulsion Technology Limited

## 1.5 Important Notes

1. When choosing wireless remote control, ensure the top of the communication module/driver module is uncovered to avoid wireless signal attenuation.
2. Only adults who have fully read and understood this manual are allowed to operate this product. Read the full user manual carefully before operation, ePropulsion accepts no liability for any damage or malfunction caused by operations violating this manual.
3. Only boat owners who are familiar with their boats are allowed to use this pod system. For a newly bought boat, the boat owner should learn all aspects of the boat including how the boat behaves in different conditions and practicing controlling the boat before mounting and operating this pod system.
4. Before operation, familiarize yourself with all the functions and operations of this product. If there is more than one person onboard, make sure you are not the only one onboard who knows how to operate this pod drive system to help in case of an unforeseen emergency.
5. Follow boat builder's instructions to mount this product to your boat. It is suggested to have certified boat builders or professional installers to install this pod system to your boat. Never try to install the pod system on your own if you never have experience of mounting a pod to your boat before.
6. Check the weather before operation.
7. Watch the environment before operation. The rotating blades of pod drives are very dangerous and will hurt people or creatures. Do not operate the pod drive in areas with swimmers or bathers around.
8. If the pod drive system is the only power source of your boat, make sure batteries on board have enough power for your round trip. We recommend you to calculate distance and battery consumption.
9. Check before each trip if there are enough safety equipment including but not limited to enough life jackets, personal flotation devices, fire extinguishers, bells and whistles, communication equipment, and paddles, etc. Check available local boating safety requirement before operating.
10. If the pod drive strikes other objects in the water, please stop running immediately. Return to the nearest harbor and find your dealer for assistance.
11. If an error code displays and the pod drive malfunctions, please reset the throttle to zero position and cut the power off, then refer to the Warning Information to acquire the solution to the error.
12. Stop the pod drive immediately if someone falls into water.
13. Only run the pod drive while the propeller is under water.

## 2 Checking the Propeller

Before use, check the propeller and if necessary, eg. the original propeller is broken, change a new propeller.

Follow instructions in Figure 2-1~2-3 to assemble a propeller properly.

### Assemble a propeller for Pod Drive1.0 Evo:

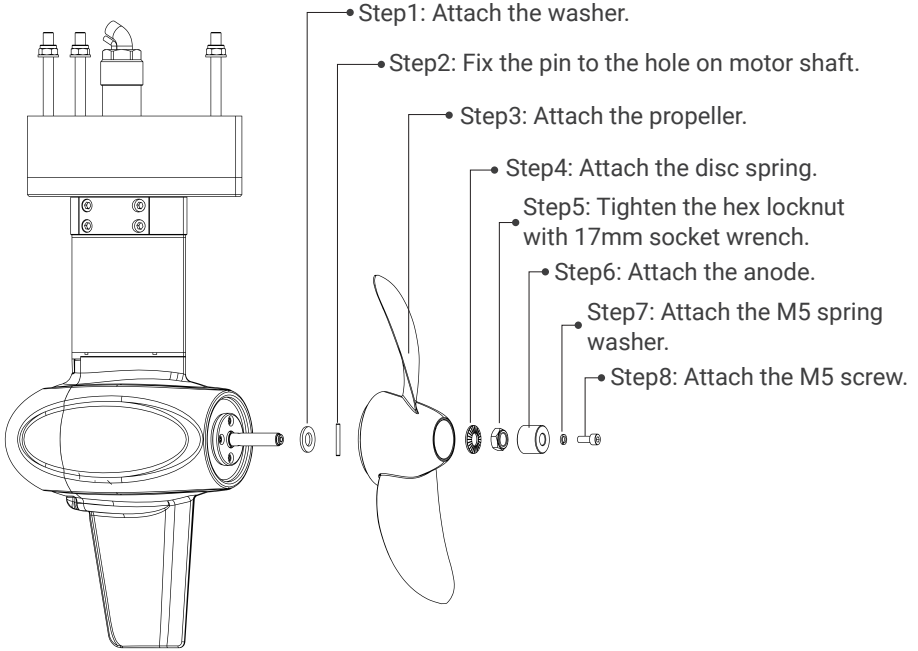


Figure 2-1

**Assemble a propeller for Pod Drive3.0 Evo:**

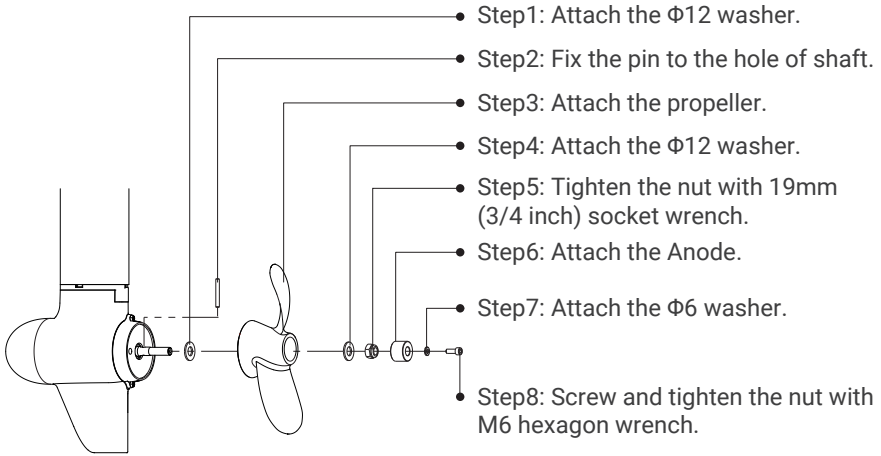


Figure 2-2

**Assemble a propeller for Pod Drive 6.0 Evo:**

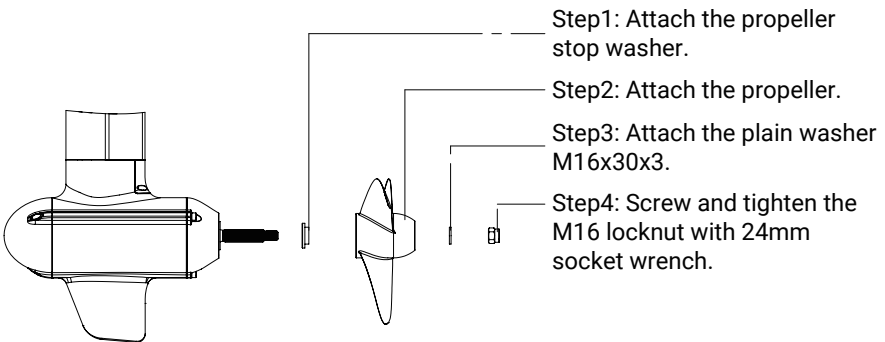


Figure 2-3



# 3 Mounting the Motor

## Mounting Position

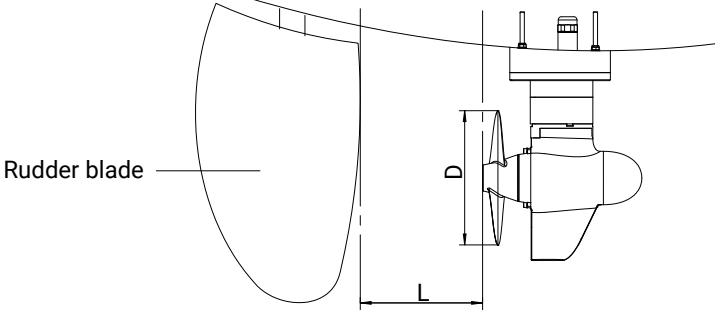


Figure 3-1

Recommended mounting position for all kinds of boats:

$$D/2 \leq L \leq 2D$$

**Step 1:** Drill four holes in the proper position through the hull bottom. The suggested dimensions of the four holes are shown below (please refer to the fixing guide):

Pod Drive1.0 Evo:

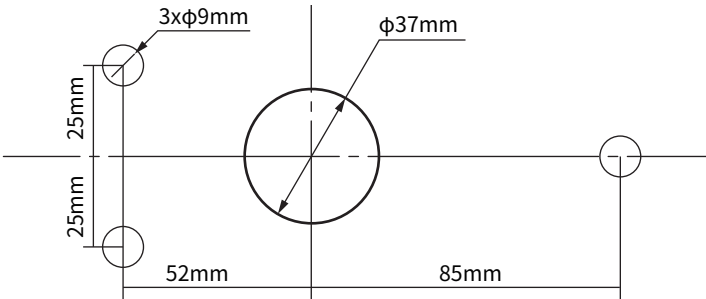


Figure 3-2

Pod Drive3.0 Evo:

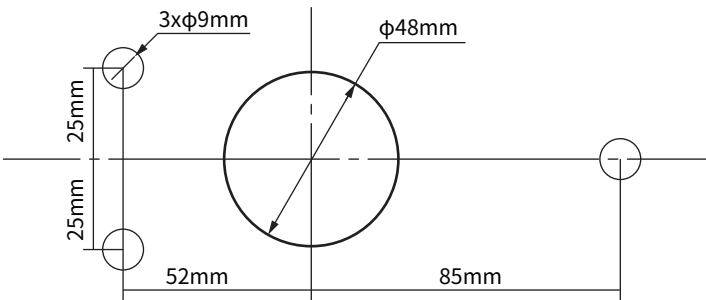


Figure 3-3

Pod Drive6.0 Evo:

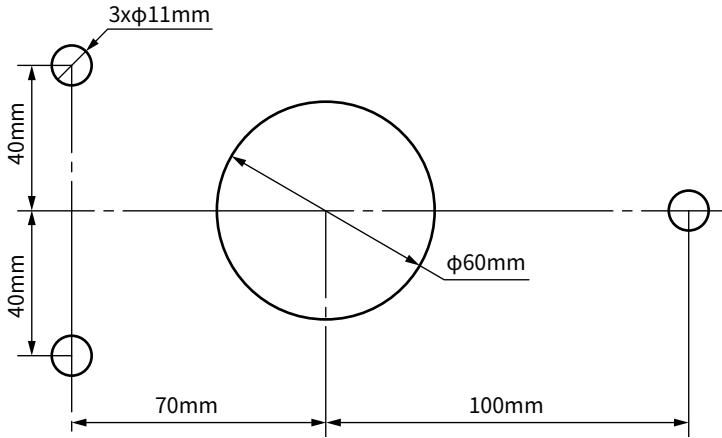


Figure 3-4

**Step 2:** Grind the adjustment pad by using an angle grinder until it fits the bottom of the boat where it is installed as much as possible, and install it on the mounting plate (Note: the machined side of the adjustment pad is facing up).

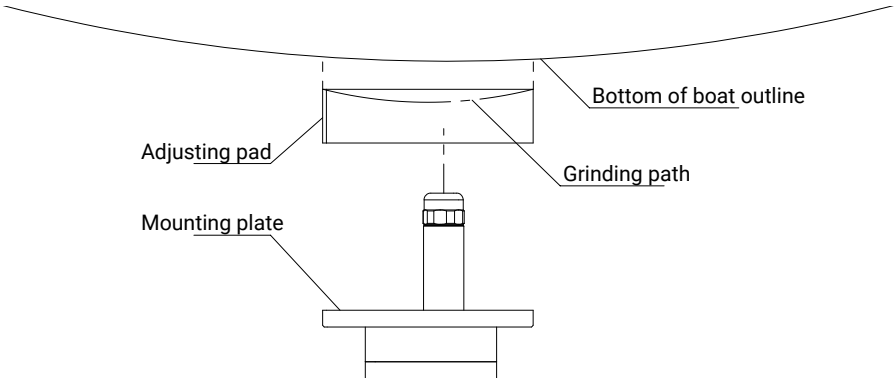



Figure 3-5

**Step 3:** Hold the Pod Motor and mount its three bolts (M8 for Pod Drive 1.0 Evo and Pod Drive 3.0 Evo, M10 for Pod Drive 6.0 Evo), bellows (with three-phase wires inside), and support tube to the bottom of boat according to the 4 holes machined in step 1.

 When mounting the motor, it is necessary to support the ship with a frame, which is more convenient for mounting and positioning.

- 💡 Please ensure that when mounting the motor support pipe through the bottom of the boat, ensure that the position of the gland head is inside the bottom of the ship. Make sure to apply sealant to the positioning hole to prevent water from entering the motor.

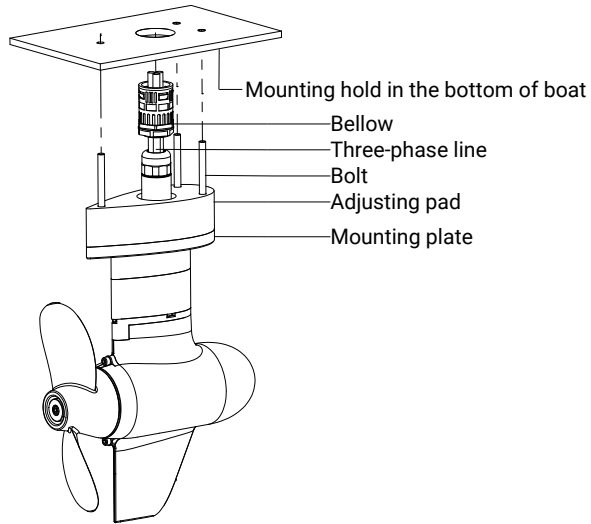


Figure 3-6

**Step 4:** Put the washer and nut on the bolt, and use the hexagon wrench to tighten the three locknuts, so that the motor can be fastened to the bottom of the boat. Salt water sealant to ensure that there will be no leakage from the mounting holes in the bottom of the boat.

- 💡 Make sure that the motor's mounting fasteners are securely installed, as loose fasteners may cause the motor to fall into water or be damaged. Fasteners should be inspected before each use as they may loosen due to mechanical vibration.

- 💡 It is recommended to use a cable or chain to tie the shaft to prevent the motor from falling off the bottom of the boat and cannot be retrieved. Attach the cable to the support tube and to a firm anchor point on the boat.

- 💡 There will be some water flowing out after the machine is taken out of the water as the inside of the support tube is empty.

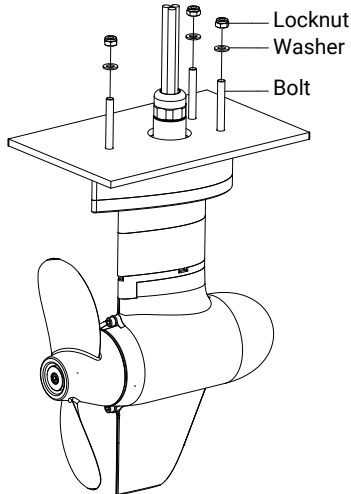


Figure 3-7

**Pod Drive 1.0 Evo:**

**Step 5:** Place the communication module on the proper position on the board and fix it with M4 screws.

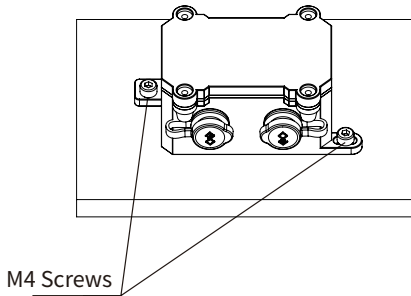


Figure 3-8

**Step 6:** Connect the power switch to the positive pole (red line) of the power cable of Pod Drive1.0 Evo.

**Pod Drive 3.0 & 6.0 Evo:**

**Step 5:** Check the three phase lines U-U1, V-V1, W-W1, put the three phase lines into the phase line clamp; fix the terminal on the driver with the hexagon screw M10 and washer (tightening torque 8 -10Nm); finally insert the temperature line into the corresponding connector and tighten it.

**⚠** Please check the U V W connection is correct, otherwise it may cause the motor to reverse.

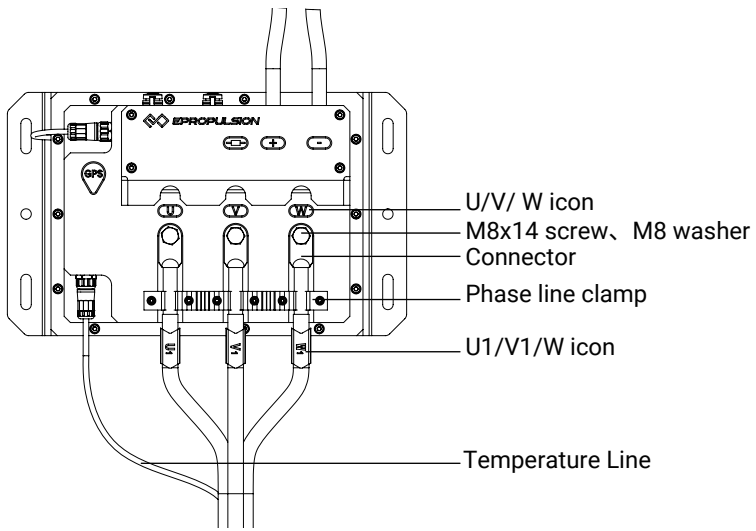


Figure 3-9

**Step 6:** Place the driver module on the proper position on the board and fix it with M8 screws (refer to figure 3-8 for the fixing holes).

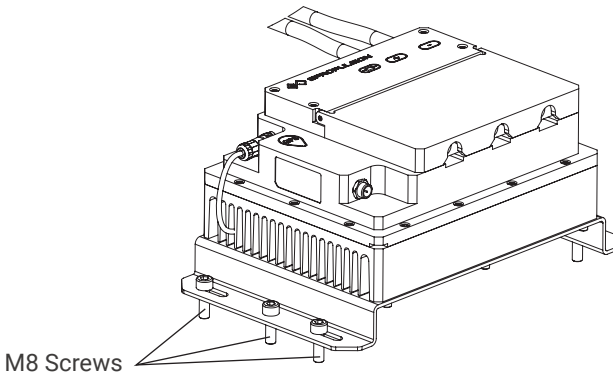


Figure 3-10

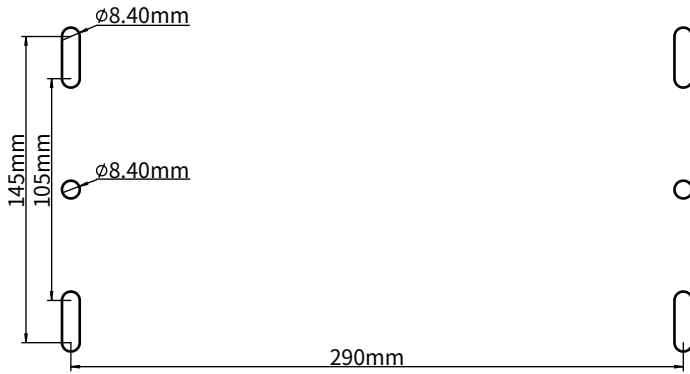


Figure 3-11

💡 More than 120mm space should be reserved around the driver for air flow.

## 4 Connecting the Battery

### 4.1 Connecting the E Battery

Before connecting to a battery, make sure the main switch is off, and fix the battery and communication module/driver on the boat.

1. Connect the power cable of the pod drive to the battery.
2. Connect the E battery and pod drive with a communication cable.
3. Connect the control system and pod drive with a communication cable.

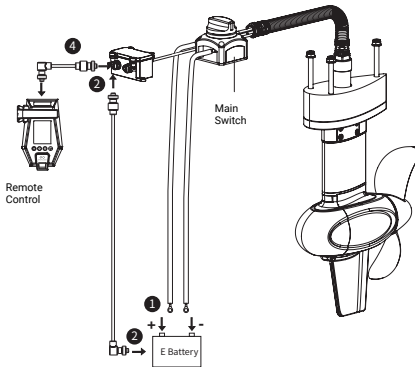


Figure 4-1

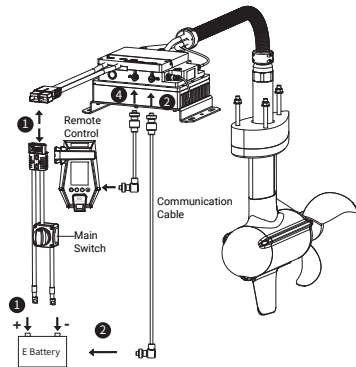


Figure 4-2

- ⚠️ Avoid battery short-circuit during connection.
- ⚠️ Do not short-circuit the main switch with other power supplies. The main switch should be mounted on the boat, and the back plate of the main switch should not be removed. Do not expose the main switch as it is not waterproof.
- ⚠️ Outboard motor will stop working once the power cable disconnects.
- 💡 Turn on the main switch to power on the battery before use.
- 💡 Users can also enlarge the battery capacity by connecting multiple batteries in parallel.
- 💡 The main switch and power cable are connected by the fixing screws that may loosen after long-time use. Loosen screws will lead to poor contact, which may result in overcurrent or other errors. If this problem is discovered, open the back cover of the switch, and tighten the screws inside.

## 4.2 Connecting a 48V Battery

Before connecting to a battery, make sure the main switch is off, and fix the battery and communication module/driver on the boat.

1. Connect the power cable of the pod drive to the battery.
2. Connect the E battery and pod drive with a communication cable.

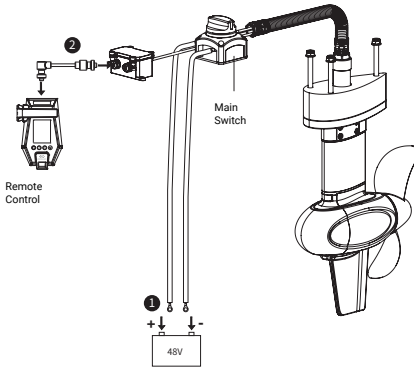


Figure 4-3

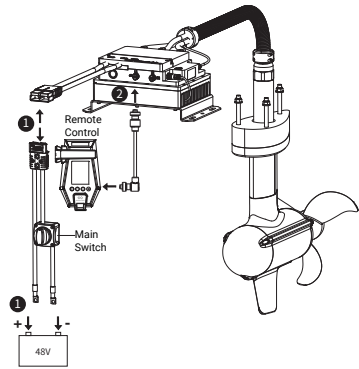


Figure 4-4

- ⚠️ Avoid battery short-circuit during connection.
- ⚠️ Do not short-circuit the main switch with other power supplies. The main switch should be mounted on the boat, and the back plate of the main switch should not be removed. Do not expose the main switch as it is not waterproof.
- ⚠️ Outboard motor will stop working once the power cable disconnects.
- 💡 Turn on the main switch to power on the battery before use.
- 💡 Users can also enlarge the battery capacity by connecting multiple batteries in parallel.
- 💡 The main switch and power cable are connected by the fixing screws that may loosen after long-time use. Loosen screws will lead to poor contact, which may result in overcurrent or other errors. If this problem is discovered, open the back cover of the switch, and tighten the screws inside.



### 4.3 Connecting a SPIRIT Battery Plus (Only for Pod Drive 1.0 Evo)

If you use the Pod Drive 1.0 Evo and SPIRIT Battery Plus at the same time, please follow the steps below to connect SPIRIT Battery Plus and the communication module of Pod Drive 1.0 Evo:

1. Before connecting the battery and communication module, please fix the battery and communication module on the boat.
2. Connect the connection cable for Pod 1.0 Evo and Spirit Battery Plus (purchased separately) to the power cable of the machine.
3. Insert the power cable connector into the battery discharge connector, insert the communication cable connector into the connector of the communication module (as shown in the figure below), and then tighten the connector.

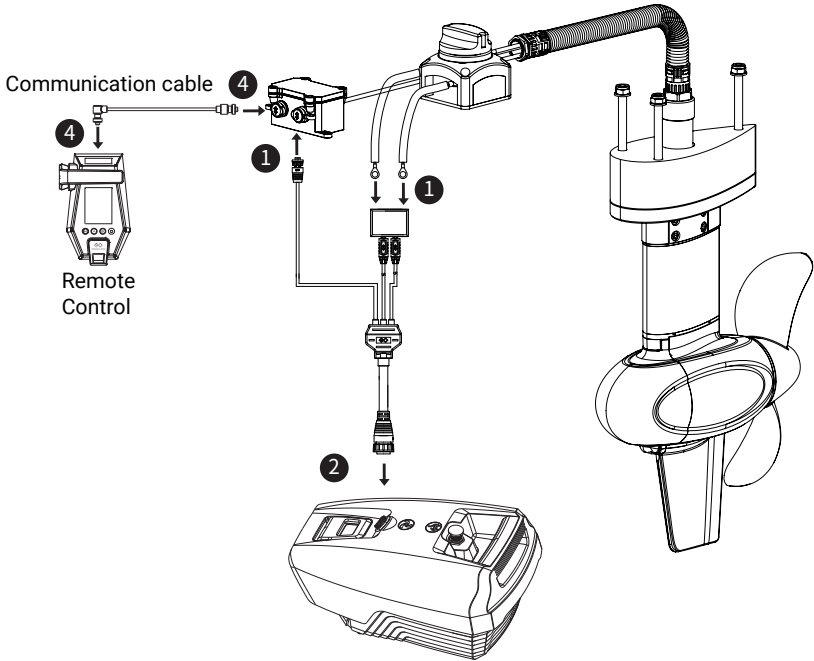


Figure 4-5

**⚠** Do not short-circuit the main switch with other power supplies. The main switch should be mounted on the boat, and the back plate of the main switch should not be removed.

# 5 Evo Remote Control

## 5.1 Display Panel

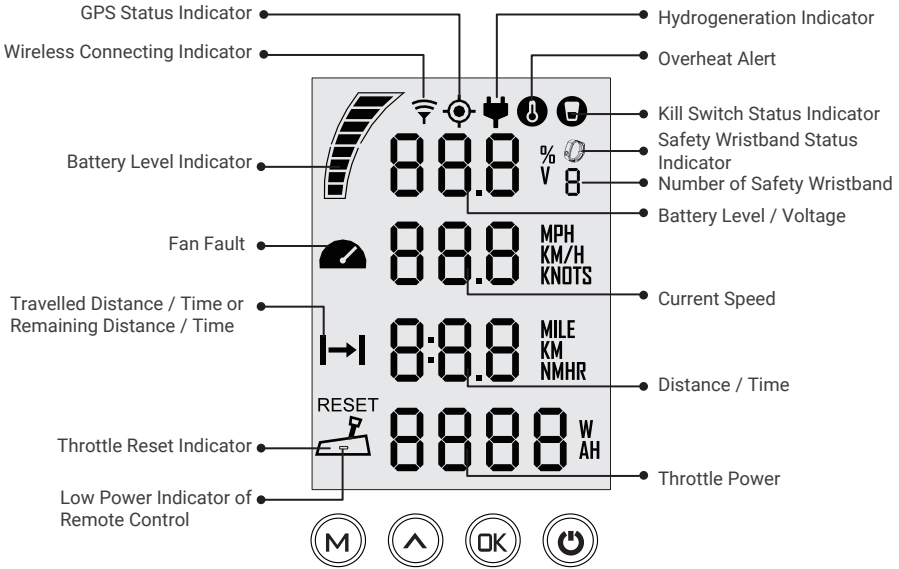



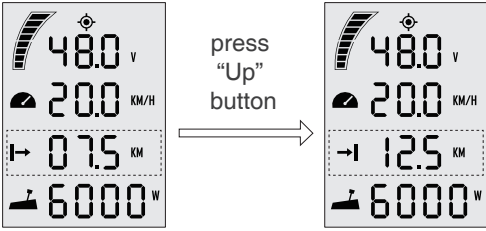

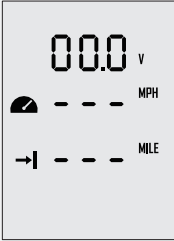
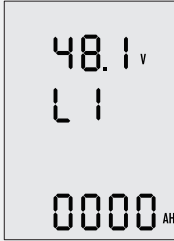




























Figure 5-1

Buttons	Functions
 "Power"	<ol style="list-style-type: none"> <li>1. In power-off state, press and hold the power button to power on the remote control.</li> <li>2. In power-on state, press and hold the power button to power off the remote control.</li> </ol>
 "OK"	<ol style="list-style-type: none"> <li>1. On setting pages, press "OK" button to save the current settings and switch to the next item.</li> <li>2. On setting pages, press and hold "OK" button, and the system will save your settings, the display will exit from setting page and return to the home page.</li> <li>3. If home page displays or all characters display on the page, press "OK" button and hold 5s to enter the pairing page.</li> <li>4. On home page, press "OK" button to switch between voltage V and battery percentage %.</li> </ol>

Buttons	Functions
<p data-bbox="132 386 190 456">"Up"</p> 	<ol data-bbox="241 159 980 370" style="list-style-type: none"> <li>1. On any setting page, press " ^ " button to view options for current setting.</li> <li>2. In power-on state, when home page displays, press " ^ " button and hold 10s to enter the throttle calibration page.</li> <li>3. On home page, press " ^ " button to switch the travelling distance or time displaying icon between " → " and "  → ".</li> </ol> <div data-bbox="361 396 841 662">  <p data-bbox="375 634 505 662">Main page 1</p> <p data-bbox="694 634 824 662">Main page 2</p> </div>
<p data-bbox="115 1052 205 1117">"Menu"</p> 	<ol data-bbox="241 695 980 1474" style="list-style-type: none"> <li>1. In power-on state, press and hold " M " button to enter the preference setting page. <div data-bbox="514 776 685 1015">  </div> <p data-bbox="484 1027 736 1052">Preference setting page</p> </li> <li>2. On preference setting page, press and hold " M " button to enter the battery setting page. <div data-bbox="514 1143 685 1382">  </div> <p data-bbox="503 1395 716 1422">Battery setting page</p> </li> <li>3. On any page, press " M " button to return home page.</li> </ol>

 If users enter the page without setting any parameters, the current parameters displayed on the page will be saved as user parameters by default.

Icons	Functions	
	Battery level indicator	Indicating approximate battery level. The solid blocks stand for remaining battery.
	Battery level/voltage	Indicating accurate current battery level percentage/battery voltage, is configurable in preference setting page. For example: 100%: indicates current battery level. 48.0 v: indicates current battery voltage.
	GPS status indicator	<ul style="list-style-type: none"> <li> Hidden: no satellite signal is received or GPS does not work.</li> <li> Blink: GPS is connecting to satellites.</li> <li>Shown constantly: GPS is in use.</li> </ul>
	Over-heat alert	<ul style="list-style-type: none"> <li> Hidden: system temperature is in normal range.</li> <li> Blink: system temperature is a little high and the maximum input power of motor has been lowered</li> <li> Shown constantly: system is over temperature and the pod will stop working. The pod can't be started until the system temperature drops to a certain level.</li> </ul>
	Kill switch status indicator	<ul style="list-style-type: none"> <li> Hidden: kill switch is present and is working well.</li> <li> Shown constantly: the kill switch is detached.</li> </ul>
	Current speed	Displaying real time cruising speed. Set units (KM/H, MPH or KNOTS) in preference setting page.


Icons	Functions	
	Motor fan fault	 Blink: The motor fan has faults. Please contact the dealer to check the fan wiring.
	Distance/time display	Displaying real time travel distance/time. Set units (MILE, KM (kilometer) and NM (nautical mile)) in preference setting page. The time unit is HR (hour).
	Travelled distance/time or remaining distance/time	→ : Remaining distance or time that the pod system can travel. Set units (MILE, KM (kilometer) and NM (nautical mile)) in preference setting page.  →: Travelled distance or time.
	Throttle Power	Displaying real time input power to the system. A blinking "RESET" indicating the throttle should be reset to zero position.
	Wireless connecting indicator	Displaying the remote control is wireless connecting with pod drive.
	Hydro generation indicator	 Shown constantly: the hydro generation function is open.  Blink: the machine is charging the battery.
	Safety wristband connecting display	 Shown constantly: the safety is connecting with the remote control successfully.  Blink: there is a safety wristband to disconnect. The number indicates the number of safety wristbands connected to the remote control.

## 5.2 Charging

The remote control has an in-built lithium battery for power supply. The battery will be charged automatically under normal use: get charged by solar power or wired connection.

### 5.2.1 Charging by Solar Power

When the solar panel receives enough sunshine, it will generate electricity to charge the in-built lithium battery.

 Face the solar panel of the remote control toward sunlight to get better charging effect.

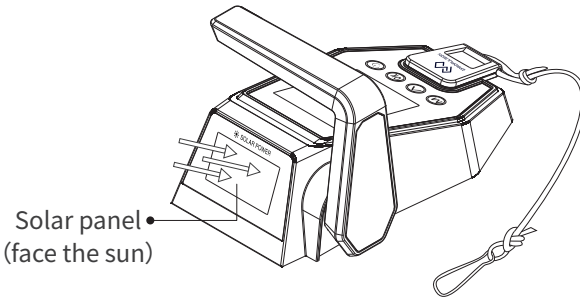



Figure 5-2

 Charging by solar power is recommended.

### 5.2.2 Charging by Wired Connection

If the remote control can't get enough solar power for a long time, the battery will run out. In this case, error code E60 (Figure 5-3) will display to remind you to charge the remote control.

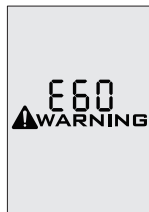




Figure 5-3


In this case, charging by wired connection is faster.

Use a communication cable to connect the remote control and the communication module/driver. Then make sure the system battery is well connected to the pod drive and powered on.

 During long-term storage, ensure to charge the remote control every 6 months to avoid over-discharge.

 Do not short-circuit the main switch with other power supplies. The main switch should be mounted on the boat, and the back plate of the main switch should not be removed.

 After long-term storage, charge the remote control before use.

 The communication cable is not included in this package. Please purchase one from your dealer if you choose this charging method. Once the communication cable disconnects, charging automatically stops and the running motor stops. Please restart the motor.

## 5.3 Power Adjusting

### 5.3.1 Power Adjusting for Evo Remote Control



Please place the kill switch on the Evo remote control before operation.

The Evo Remote Control is mainly used to adjust the input power of the motor. When the battery is well connected and switched on, power on the Remote Control to start the pod drive, then slowly push the throttle forward position to increase the power. The maximum forward/backward power is shown below.

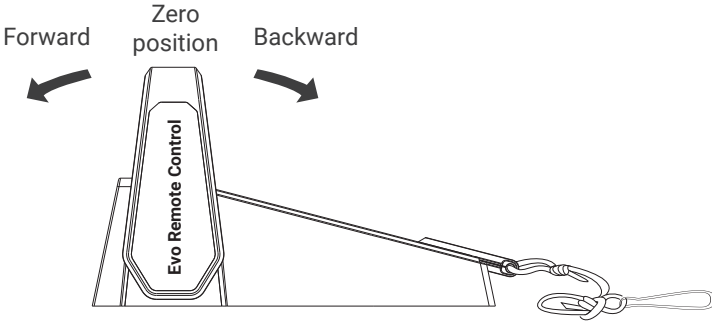


Figure 5-4

Model	Max forward power	Max backward power
Pod Drive1.0 Evo	1 kW	1 kW
Pod Drive3.0 Evo	3 kW	3 kW
Pod Drive6.0 Evo	6 kW	6 kW



Before power on the Remote Control, please reset the throttle to neutral position.



If you find a blinking “RESET” on the display panel, you are reminded to reset the throttle to neutral position.



If you pull the throttle from the forward position to the backward position directly, the motor will first stop shortly, then start turning to the reverse direction.



### 5.3.2 Recalibration

If the error code displays as the figure 5-6, users should calibrate the throttle **strictly** as below steps.




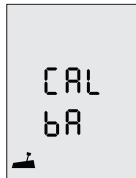
 Before calibration, please detach the kill switch from the control system.



Figure 5-5

Recalibration process	LCD Displaying
<p>Step1: Long press "▲" button for 10s until "CAL FO" displays.</p>	
<p>Step2: Push the throttle to the maximum forward power position, then press "OK" button. "CAL 5t" will display and "CAL" will be blinking.</p>	
<p>Step3: Pull the throttle to the middle (zero) position where you can hear a click sound, then press "OK" button, "CAL bA" will display and "CAL" will be blinking.</p>	
<p>Step4: Pull the throttle to the maximum backward power position, then press "OK" button. It will return to the main page automatically.</p>	

## 5.4 Use of Kill Switch

- Attach the kill switch and tie its lanyard to your wrist or life jacket.
- Stop the pod drive in emergency by detaching the kill switch.
- To run the motor again, first attach the kill switch then start the motor.

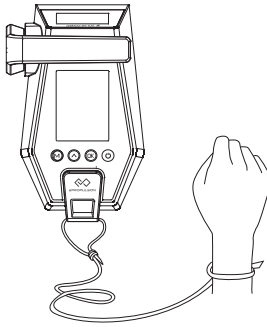


Figure 5-6

- ⚠ The kill switch generates magnetic field. Keep it 50cm / 20inches away from medical implants like pacemakers and magnetic cards (e.g. credit card) as well as other magnetic media.
- ⚠ The magnetic field of the kill switch may interfere with some electronic instruments. Keep it away from these electronic instruments.

## 5.5 Use of Safety Wristband

### 5.5.1 Pairing Safety Wristband with Remote Control

Press the "**^**" and "**OK**" buttons and hold for a while to display the safety wristband icon and "SE". At this time, approach the safety wristband that needs to be paired, turn on the safety wristband, and the remote control displays the "SUC", indicating successfully pairing. Keep in this interface and continue to press "**OK**" to pair the safety wristband continuously (the maximum number of pairs is 8). After completing the pairing, press the "**M**" button to return to the main page.

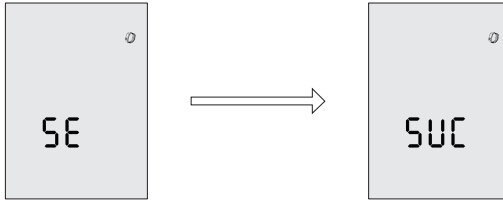



Figure 5-7

### 5.5.2 Man Overboard Protection

After the safety wristband and the remote control are paired, when the safety wristband falls into the water and the remote control is on, the remote control display will flash with a buzzing sound. The safety wristband icon flashes and the number of safety wristband decreases. At this time, you can continue to operate the machine by returning the throttle to zero position. The buzzer of the remote control will stop, but the display continues to flash. If you confirm that you need to cancel the alarm state, please restart the remote control or the disconnected wristband reconnects.

### 5.5.3 Emergency Stop


After the safety wristband and the remote control are paired, when the remote control is in operation, short press the button of the safety wristband, the display of the remote control will flash with a buzzer. At the same time, the safety wristband icon flashes and the number of safety wristband displayed at the bottom decreases. At this time, you can continue to operate the machine by returning the throttle to zero position. The buzzer of the remote control stops, but the display continues to flash. If you confirm that you need to cancel the alarm state, please restart the remote control or short press the safety wristband after 5 seconds.

 When a wristband is disconnected or an emergency stop is performed, the stop command of other wristbands will not work until it returns to the normal state.

## 5.6 Pairing Remote Control with the Pod Drive

Before use please pair remote control with the pod drive. There are two methods to pair the remote control. Please choose one of the two methods and follow the steps to build new communication.

### Method 1. Pairing without Communication Cable

 Because the mounting place of the pod drive will cause the poor signal, it is not recommended to use wireless pairing.

**Step1:** Switch off system power and hold the remote control within 0.5m of the communication module/driver module.

**Step2:** Press and hold the “” button to switch on the remote control.

**Step3:** Ensure the wireless indicator is shown constantly on the home page.

**Step4:** Press “OK” button and hold 5s to enter the pairing setting page (Figure 5-8). On this page, you can find the blinking “Add” and “RUF”, and a countdown timer “060” (60s).



Figure 5-8

**Step5:** Switch on system power. Wait for them to get paired in seconds.

**Step6:** After pairing, the LCD panel will display as Figure 5-9 for 5s, then returning to home page automatically.



Figure 5-9

💡 If pairing fails within 60s, go back to **Step3** and try again.

## Method 2. Pairing with Communication Cable

**Step1:** Switch off system power and the remote control.

**Step2:** Connect the remote control and the Communication module with a communication cable.

**Step3:** Switch on system power and the remote control. Wait for them to get paired in seconds. Pairing succeeds when home page displays.

💡 No matter it is in wireless communication status or not, it will switch to wired communication status when you are pairing with a communication cable.

💡 If the control system or the pod drive is replaced with a new one, the original wireless link will break and wireless communication failure will occur. The main page of the LCD panel on the Remote Control will display as below. In this case, users should conduct pairing again.

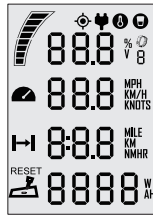


Figure 5-10

However, if the Remote Control and the pod drive are not replaced, but the LCD panel still displays like this, you should check and:

- 1) Make sure the Remote Control is not far from the outboard motor;
- 2) Make sure all the equipment involved is normally powered on.

If the Remote Control still displays like Figure 5-10 after check, it indicates an error has occurred. Please contact your dealer for repair.

## 5.7 Warning Messages

When the pod drive motor is running in abnormal conditions or out of order, a warning message with an error code will display on the LCD panel. Figure 5-12 is an example.


Please find more error codes and corresponding solutions in the below table.



Figure 5-11

Code	Cause	Solution
E01	Battery voltage beyond operation range.	Replace a battery based on suggested operation specifications.
E02	Propeller may be blocked, causing motor overcurrent	Refer to Solution to E10.
	Motor fails or circuit board fails causing motor overcurrent	Try to turn off the main switch and wait for 10 seconds then turn on the switch again.
E06	The battery voltage level is too low.	Operate the motor at low power. Please charge the battery as soon as possible.
E10	Motor stall, which may be caused by blocked propeller	Turn off power, then clean up the things winding around the propeller. Test if the propeller can be rotated by hand before operation.
E11	The temperature of motor is too high.	Stop operating the pod drive and wait until the temperature falls within the normal operating temperature range.

Code	Cause	Solution
E12	The temperature of circuit board is too high.	Stop operating the pod drive and wait until the temperature falls within the normal operating temperature range.
E22	MCU Communication Abnormality	Please restart to see if the error disappears, if not, please contact your dealer for help.
E30	Throttle position sensor failure, should recalibrate the throttle position sensor.	Please refer to section 5.3.2 <i>Recalibration</i> to recalibrate the throttle position sensor.
E56	Communication Error between pod drive and battery	Check if the communication cable between pod drive and battery is well connected, if yes, please restart the system.
E60	The remote control is running out of power.	Please connect the remote control to the pod by a communication cable. Please refer to section 5.2.2 <i>Charged by Wired Connection</i> .
All characters display	The motor has no power.	Connect the battery to the pod drive and then turn on the main switch.
	Not paired	Please refer to section 5.6 <i>Pairing Remote Control with the Pod Drive</i> .

 If the problem persists, please consult your ePropulsion authorized dealer for assistance.

# 6 Configurations

---

## 6.1 Preference Settings

It's advised to set display preference by these steps before operation.

**Step1:** In power-on state, press “M” button and hold to enter the preference setting page as shown in Figure 6-1. Users can choose display items based on personal needs and preference.

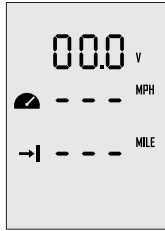


Figure 6-1


**Step2:** On the preference setting page, the blinking item is the object waiting to be set. Press the “^” button to view options for the blinking item. For example, in Figure 6-1, if “V” is blinking on the preference setting page, it means that “V” has other alternate options. Just press the “^” button, and “V” will switch to “%”, i.e. the displayed item is switched from voltage to battery level.

**Step3:** Press “OK” button to save setting for the current item and skip to the next item simultaneously.





**Step4:** When all the items have been set well, long press the “OK” button to save all the settings and return to the main page.

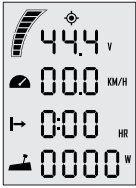
## 6.2 Battery Configuration


Accurate battery configuration helps achieve precise estimation of the battery's discharging state. When using an ePropulsion E Series Battery, battery configuration is self-activated by the control system given that all the communication cables are well connected. When not using E Series Batteries, users should manually configure the batteries via Remote Control at the first time use, so the battery level will display more accurate.


 Battery configuration should be carried out if a battery with different type/capacity/voltage is connected to Pod Evo for the first time.




Battery Configuration Process	LCD Displaying
<p><b>Step1:</b> First, turn on the main switch and the Evo Remote Control.</p> <p>Press and hold the “<b>M</b>” and “<b>OK</b>” button simultaneously to enter the battery setting page. Users can see the battery type blinking and it’s ready for configuration.</p>	
<p><b>Step2:</b> Press “<b>OK</b>” button to switch the battery type options between Pb, Li and LFE.</p> <p><b>Pb:</b> Lead-acid battery    <b>Li:</b> Lithium battery  <b>LFE:</b> Lithium-ion ferrous phosphate battery</p>	
<p><b>Step3:</b> Press “<b>^</b>” button to save the battery type setting and return to battery nominal voltage setting.</p> <p>Voltage options are provided by battery type. Press the “<b>OK</b>” button to view these options and select the closest rated voltage based on the battery you use.</p>	
<p><b>Step5:</b> Press “<b>^</b>” button to save the save the current setting and move to the battery level setting.</p> <p>Press the “<b>OK</b>” button to select the battery capacity according to the battery you use. Please set the four-digit value from left to right in turn. After each value is set, press the “<b>^</b>” button to move to the next value.</p> <p>Note that the unit of capacity is “Ah”, usually the capacity of battery is expressed in “Wh”, and we can get the capacity in “Ah” by following the below formula:</p> $\text{Capacity in Ah} = \frac{\text{Capacity in Wh}}{\text{Nominal voltage in V}}$ <p>Eg. if users use a 3000Wh Lithium battery with 48.1V nominal voltage, then the battery is about 62.37Ah, so you can set 62Ah as the capacity setting.</p>	


Battery Configuration Process	LCD Displaying
<p><b>Step5:</b> Press “<b>M</b>” button to save all the settings and return to the main page.</p>	

 Lithium batteries, lead acid batteries and lithium iron phosphate batteries are recommended to use with Pod Evo. Other types of battery may fail to make Pod Evo work properly.

 When you use the below batteries, please set battery type and rated voltage value based on the parameters in the following table.

Battery type	Nominal Voltage options
LI	43.2V 44.4V 45.6V 46.8V 48.1V 49.4V 50.4V 51.8V 53.2V
Pb	44.0V 46.0V 48.0V 50.0V 52.0V 54.0V
LFE	44.8V 48.0V 51.2V

 Update the battery configuration is necessary if a different type of battery has been applied.

 When using non-ePropulsion batteries, before starting the outboard, users should configure the batteries via the Evo Control System for the first time use, otherwise the batteries may not work properly.

## 7 Checklist before Use

---


1. Ensure the propeller is correctly and firmly mounted on the pod drive.
2. Ensure the pod drive is correctly and firmly mounted on the boat.
3. Ensure the remote control and steering wheel are installed in proper position before turning on the power.
4. Ensure the throttle travels smoothly with no obstacles.
5. Before connecting the battery, check and make sure there is no poor contacts or defects in cables.
6. Check and ensure the main switch is able to power on and off normally. After that, turn off the main switch.
7. Ensure the battery has enough power.
8. Ensure the remote control has enough power.



Make sure the power cable is dry before connecting it to the battery or powering on the system.

## 8 Starting the Pod Drive


---

1. Complete the check list.
2. Remove the kill switch from the remote control.
3. Push the throttle to zero position.
4. Connect the battery with the pod drive.
5. If use ePropulsion battery, turn on the main switch.
6. Press "  " button to turn on the remote control.
7. Pair the remote control with the pod drive.
8. Carry out preference setting and battery configuration if necessary.
9. Tie the kill switch to your wrist or life vest, then attach the kill switch on the remote control.
10. Push the throttle slowly to start running.

## 9 Stopping the Pod Drive

---

It's recommended to stop the pod drive as the following procedures.

1. Return the throttle to zero position.
2. Wait until the motor stops, then detach the kill switch.
3. Press and hold the “” button until the remote control is switched off.
4. Turn off the main switch. If the pod drive is not connected to a SPIRIT battery, please also turn off the battery by pressing the power button.



The motor will also stop in any below situations.

1. Throttle is in zero position.
2. Kill switch is not placed in the correct position.
3. The power cable connected to the battery is loose.
4. The communication between the remote control and the pod drive is interrupted.
5. The connection between the battery and the pod drive is disconnected.
6. The system is malfunctioning (such as the motor is blocked or the battery voltage is too low).
7. The main switch is turned off.

## 10 Hydro Generation Function


Pod Drive Evo machines can drive the propeller to charge the battery (only the ePropulsion battery) through water flow.

**The machine will enter the hydro generation state if the following conditions are met:**

1. The remote control is set to turn on the hydro generation function (enabled by default).
2. The remote control is in the zero position.
3. The ePropulsion battery power is below 90%.
4. The machine will enter the hydro generation state after the boat speed is above 6km/h stably for 4 seconds.

**When any of the following conditions occur, the hydro generation will be stopped:**

1. The remote control is set to turn off the hydro generation function.
2. The remote control is in the forward/backward state (not in the zero position).
3. The ship is not traveling or traveling too fast (Pod Drive 1.0 Evo is higher than 35km/h, Pod Drive 3.0/6.0 Evo is higher than 45km/h).
4. The battery level is higher than 90%.

 The hydro generation function can be used only when connecting ePropulsion batteries.

### Set up the hydro generation function

When the Evo remote control and the machine are successfully connected, and the Evo remote control and the machine are both on. Press the "M", "▲" and "OK" buttons at the same time to enter the hydro generation setting interface. Then press "OK" to change the state of the hydro generation function (En means on, Dis means off).

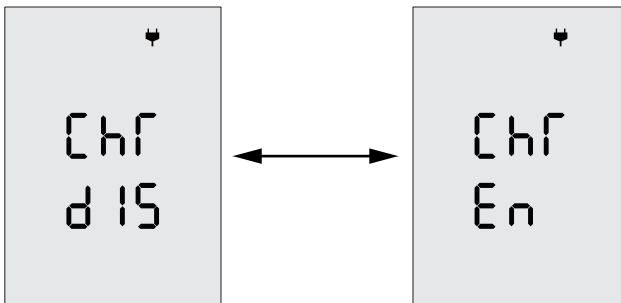



Figure 9-1

# 11 Maintenance


---


## 11.1 Contents and precautions of daily maintenance


1. Regularly check the use of the propeller, including whether the propeller blades are worn, cavitated or otherwise damaged, whether the pins are worn or damaged, whether the propeller is wrapped with aquatic plants, fishing nets or lines, and the degree of corrosion of the anode block.
2. Regularly check whether the fasteners installed on the bottom of the motor are loose and the sealant at the installation holes.
3. Before use, make sure that the connecting bolts of the three-phase line of the drive module are firm.

 If the motor needs to be repaired, the boat needs to be hoisted so that the motor can be easily repaired.

## 11.1 Propeller Maintenance

 Ensure the battery is disconnected before each check, as a rotating propeller is dangerous.

 Gloves are recommended to wear, in order to protect your hand from the sharp propeller edges.

 Regularly check whether the propeller is damaged, whether there is a fishing line entangled. The motor is out of warranty due to the fishing line causing water to enter the motor.

Check the propeller based on the following tips, then refer to the *Chapter 2 Checking the Propeller* to replace a new propeller if necessary.

1. Check the propeller blades for wear broken and other damage.
2. Check the pin for wear and damage.
3. Check for water plants, fishing net or line twine around the propeller.

## 11.2 Replacing the Anode

Please refer to the figure below to replace a new anode if necessary.

**Replacing the anode of Pod Drive 1.0 Evo**

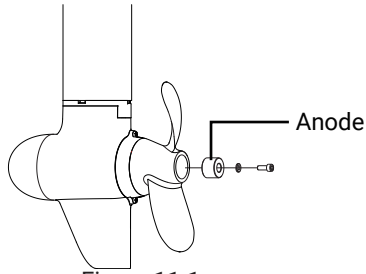


Figure 11-1

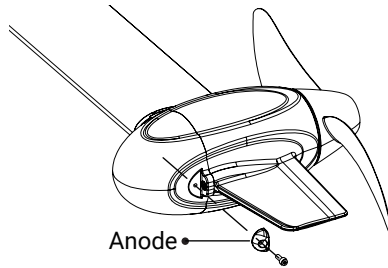


Figure 11-2

**Replacing the anode of Pod Drive 3.0 Evo**

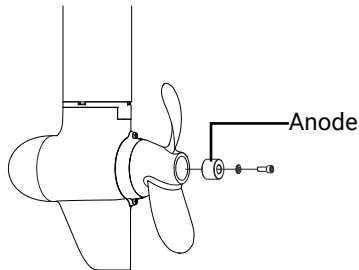


Figure 11-3

**Replacing the anode of Pod Drive 6.0 Evo**

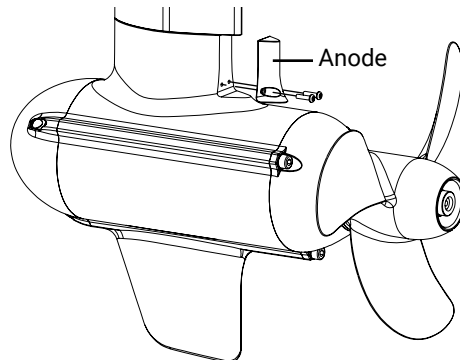


Figure 11-4 Pod 6.0 Evo with metal propeller (standard)

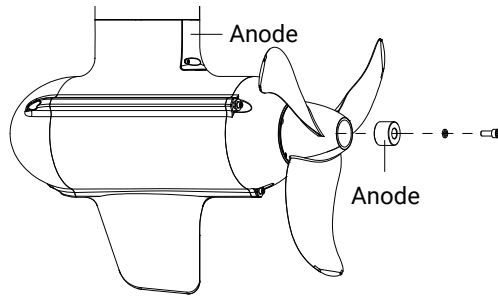


Figure 11-5 Pod 6.0 Evo with plastic propeller (optional)

### 11.3 Maintenance of Electrical Contacts

Clean all electrical contacts with electrical contacts cleaner every two months, and clean immediately once there is rusty show up.



## 12 Transport and Storage

Before long distance transport or long-term storage, please use ePropulsion original package to pack the pod drive.

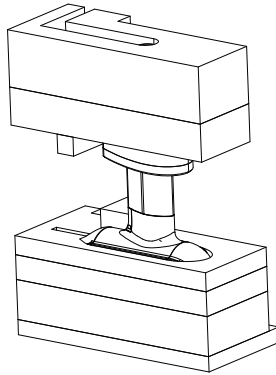




Figure 12-1

-  Make sure the pod drive gets adequate damping protection before transport and storage.
-  Store the pod drive in a well-ventilated and dry area without direct sun exposure.

# 12 Emergency Situations

---

## 12.1 Collision

If the pod strikes some object beneath the water, please follow below procedures.

1. Stop the pod immediately and then turn off the main switch.
2. Check the mechanical structure to see if there are damages.
3. Return to the nearest harbor or pier in low power.
4. Call your dealer to check the pod.

## 12.2 Low Battery Level

When the battery voltage is lower than 42V, the power will be limited by dropping voltage. When the battery voltage drops below 39V, the pod will stop automatically to prevent battery over-discharge. If this happens when the pod is far away from the shore, and there is an alternative battery, it's recommended to wait until the battery voltage rises 42V or above. When the voltage rises to a safe level, you can restart the pod system by restricting the power within 100W.

## 13 Warranty

---

Guangdong ePropulsion Technology Co., Ltd. (“ePropulsion”), China, warrants its products to be free of defects in material and workmanship under normal usage with proper installation and routine maintenance for a period of twenty-four (24) months from date of delivery of products to end customers (the “Limited Warranty Period”). The Limited Warranty is provided to the first end customer of ePropulsion products ONLY. The Customer is entitled to free repair or replacement of defective or non-conform parts. Any warranty claim must be made within six (6) months of discovery of issues as provided below.

If the Limited Warranty Period expires, you can still enjoy maintenance services from dealers/distributors authorized by ePropulsion (the “ePropulsion Service Partners”) with minimum maintenance charge per occurrence.

In all warranty cases, ePropulsion will only bear the repair cost for issued covered by the Limited Warranty only, which shall NOT include costs irrelevant such as those related to product installation, disassemble, transportation, financing, rental, etc.

Beyond the Limited Warranty, the Customer may have statutory rights in your jurisdiction according to applicable laws. Nothing in this Limited Warranty affects such rights. The Customer may have warranty claim rights arising from the purchase contract with ePropulsion Service Partners in addition to the rights granted by this Limited Warranty.

Products for commercial/professional use, even if only temporarily, are not covered by the Limited Warranty. Instead, the statutory warranty in your jurisdiction shall apply. You are encouraged to consult with ePropulsion Service Partners for applicable warranty and advice before engaging in such use.

**\* Commercial/professional Use refers to application cases that have high use frequency, high-reliability requirement or aim for money making, etc.**

To keep your warranty valid, you shall follow:

- Keep the product label intact and record the Serial Number shown on the label. Never tear the label off the product. A product without the original product label is not covered by the Limited Warranty provided by ePropulsion;
- The Limited Warranty is not transferable and will not be reissued;
- The Limited Warranty may change from time to time. Pls visit our website (<http://www.epropulsion.com>) for the latest version.

## Out of Warranty

ePropulsion may refuse a warranty claim if:

- Any improper operation contradicts what is written in the user manual;
- Accident, misuse, dropping, improper care or storage, willful abuse, physical damage, overcharging, over discharging, or unauthorized repair;
- Water ingress caused by external sources such as fishing nets, submerging underwater, etc;
- Product modification, alternation, disassembly, or parts/accessories attachment, which are not expressly permitted or recommended by ePropulsion;
- Failure of, or damage caused by, any 3rd party products;
- Consumables are out of warranty scope (like propeller, anode, etc.);
- Purchases of product from unauthorized dealers or seller;
- Normal wear and tear and routine servicing are excluded from the warranty;
- The product gets further damaged due to improper packing during delivery. The further damaged part will be deemed as out of warranty coverage;
- Lithium battery is classified as a UN9 hazardous item, posting and packing must be in accordance with the relevant law of the local country directive. Non-compliance may result in out of warranty coverage.

## Limited Warranty Claim Procedures

The Customer shall follow the warranty claim process to make a Limited Warranty claim:

1. Contact your nearest ePropulsion Service Partners and they will provide further instruction to you if such defects are covered by the Limited Warranty or theirs.
2. Send the defective product to them together with Proof of 1st-time Purchase (e.g., receipt, invoice, etc., with information of product purchased and date of purchase), the Confirmation of Online Warranty Registration, ex-factory Serial Number, etc. Note that all labels shall be kept intact. The warranty is valid only when the information above is correct, genuine, and complete;
3. Make sure the product is properly packed during delivery, the original package is highly recommended.
4. The ePropulsion Service Partners will conduct diagnosis and examination on the

defective products to check the validity of the warranty claim.

5. If your warranty claim is accepted, the Product or its defective components/ parts will be either repaired or replaced free of charge. Note that any delivery cost incurred in the process shall be bearded by you.
6. In case your warranty claim be rejected, a repair/replace cost and fee with round trip delivery cost will be estimated and sent to you for confirmation. ePropulsion Service Partners will only begin the work after your written confirmation.

# ACHTUNG!

**Die Montage des Motors darf nur von geschultem Fachpersonal durchgeführt werden!**

Vergewissern Sie sich, dass Ihr Rumpf von der Beschaffenheit und vom Zustand in der Lage ist, die Kräfte des Antriebs unter Vollast sowie bei schwerem Wetter mit starkem Wellengang, schadlos aufzunehmen! Ggf. muss der Rumpf entsprechend verstärkt werden, um die Kräfte sicher aufzunehmen und das Rumpfmateriale vor Ermüdung und so vor Schäden zu schützen.

Bohren Sie die Löcher nicht größer als angegeben und verwenden Sie stets ausreichend und für Ihr Rumpfmateriale geeignetes Dichtmateriale (nicht im Lieferumfang enthalten)!

Kontrollieren Sie vor jeder Nutzung den Zustand der Montagebolzen sowie der gesamten Installation auf Dichtigkeit und Kraftschlüssigkeit der Verbindung zwischen Motor und Rumpf!

**Ein mangel- oder fehlerhaft montierter Motor kann zu Wassereintritten und zum Sinken des Bootes führen! Es besteht Lebensgefahr!**

**Der Hersteller haftet nicht für Schäden, die durch einen mangel- oder fehlerhaften Einbau verursacht wurden!**

## Einführung

---

Vielen Dank, dass Sie sich für ein ePropulsion-Produkt entschieden haben. Wir bedanken uns für Ihr Vertrauen und freuen uns, dass Sie unser Unternehmen unterstützen. Unser Angebot umfasst leistungsstarke elektrische Außenborder, elektrische Pod-Antriebe, Hilfs- bzw. Kajak-Motoren, zuverlässige Lithium-Batterien und Zubehör. Bitte besuchen Sie auch unsere Website [www.epropulsion.com](http://www.epropulsion.com) und kontaktieren Sie uns bei Fragen und Bedenken.

## Verwendung dieses Handbuchs

---

Lesen Sie diese Bedienungsanleitung vor der Verwendung des Produkts bitte sorgfältig durch, um zu verstehen, wie das Produkt sachgemäß und sicher benutzt wird. Durch die Benutzung dieses Produkts bestätigen Sie, dass Sie den gesamten Inhalt dieses Handbuchs vollständig gelesen und verstanden haben. ePropulsion übernimmt keine Haftung für Schäden oder Verletzungen, die durch Handlungen verursacht werden, die im Widerspruch zu diesem Handbuch stehen.

Im Zuge der kontinuierlichen Produktoptimierung behält sich ePropulsion das Recht vor, die im Handbuch beschriebenen Inhalte jederzeit anzupassen. ePropulsion besitzt außerdem die geistigen Eigentumsrechte und die gewerblichen Schutzrechte am Produkt, unter anderem auch Urheberrechte, Patente, Logos und Designs.

Dieses Handbuch kann ohne vorherige Ankündigung aktualisiert werden. Bitte besuchen Sie unsere Website [www.epropulsion.com](http://www.epropulsion.com), um die neueste Version zu lesen. Wenn Sie Unstimmigkeiten zwischen Ihrem Produkt und diesem Handbuch feststellen oder Zweifel am Produkt oder am Handbuch haben, besuchen Sie bitte [www.epropulsion.com](http://www.epropulsion.com). ePropulsion behält sich das Recht auf abschließende Auslegung dieses Handbuchs vor.

Dieses Handbuch ist mehrsprachig. Im Fall von Unstimmigkeiten bei der Interpretation verschiedener Sprachversionen ist die englische Version maßgebend.

## Symbole

---

Die folgenden Symbole weisen auf wichtige Informationen hin.



Wichtige Hinweise oder Warnungen



Nützliche Informationen oder Tipps

# Produktidentifikation

Die nachstehende Abbildung zeigt, wo sich die Seriennummern am Evo Pod-Antrieb befindet. Bitte merken Sie sich, wo die Seriennummern zu finden sind und notieren Sie sie für die Inanspruchnahme von Garantie- und anderen Kundendienstleistungen.

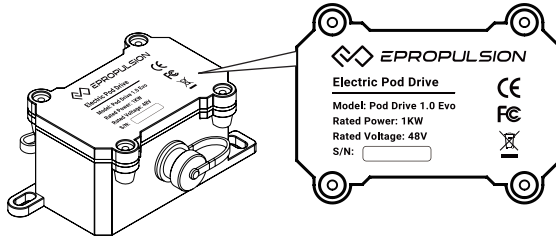


Abbildung 0-1

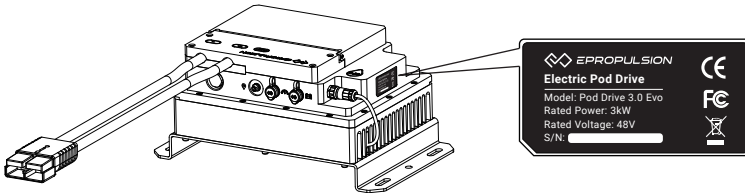


Abbildung 0-2

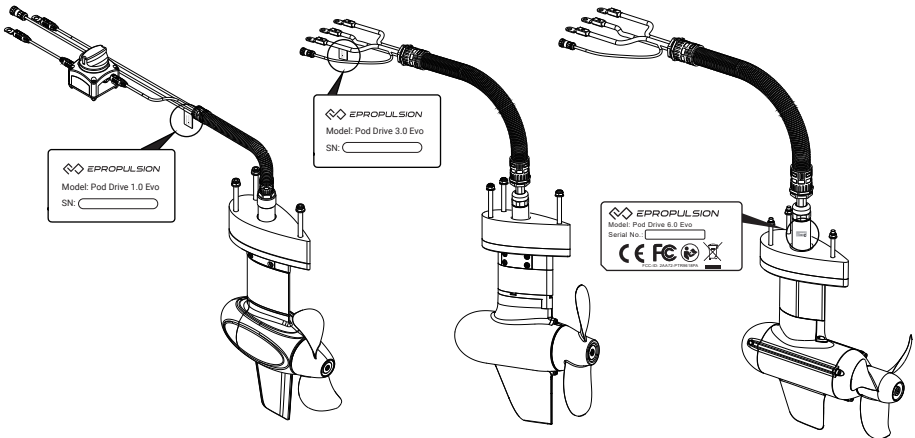


Abbildung 0-3

Abbildung 0-4

Abbildung 0-5



# Inhaltsverzeichnis

<b>Einführung</b> .....	<b>46</b>
<b>Verwendung dieses Handbuchs</b> .....	<b>46</b>
<b>Symbole</b> .....	<b>46</b>
<b>Produktidentifikation</b> .....	<b>47</b>
<b>1 Produktübersicht</b> .....	<b>50</b>
1.1 Lieferumfang .....	50
1.2 Teile und Zeichnungen .....	53
1.3 Technische Daten .....	55
1.4 Konformitätserklärung .....	56
1.5 Wichtige Hinweise .....	57
<b>2 Den Propeller prüfen</b> .....	<b>59</b>
<b>3 Den Motor montieren</b> .....	<b>62</b>
<b>4 Anschließen der Batterie</b> .....	<b>65</b>
4.1 Anschließen einer 48-V-Batterie .....	65
4.2 Anschließen einer Spirit Batterie PLUS (nur für den Pod Drive 1.0 Evo).....	67
<b>5 Evo Fernsteuerung</b> .....	<b>68</b>
5.1 LCD-Display .....	68
5.2 Laden .....	73
5.2.1 Laden über Solarenergie (empfohlen) .....	73
5.2.2 Laden über Ladekabel .....	73
5.3 Leistungsanpassung .....	75
5.3.1 Motorleistung anpassen für Evo Fernsteuerung .....	75
5.3.2 Kalibrieren .....	76
5.4 Reißleinenschalter einsetzen .....	77
5.5 Sicherheitsarmband einsetzen .....	78
5.5.1 Registrierung des Sicherheitsarmbands mit der Evo Fernsteuerung (Kopplung) .....	78
5.5.2 Mann-über-Bord-Schutz .....	78
5.5.3 Not-Aus .....	78

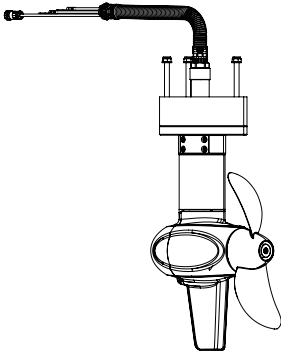
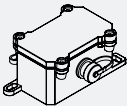
5.6 Registrierung der Evo Fernsteuerung im Pod-Antrieb (Kopplung)....	79
5.7 Warnmeldungen .....	82
<b>6 Checkliste vor der Verwendung .....</b>	<b>84</b>
<b>7 Den Pod-Antrieb starten .....</b>	<b>84</b>
<b>8 Den Pod-Antrieb ausschalten .....</b>	<b>85</b>
<b>9 Funktion Stromerzeugung mit Wasserkraft.....</b>	<b>86</b>
<b>10 Wartungsaufwand .....</b>	<b>88</b>
10.1 Propellerwartung .....	88
10.2 Austausch der Anode .....	88
<b>11 Transport und Aufbewahrung .....</b>	<b>90</b>
<b>12 Notsituationen .....</b>	<b>91</b>
12.1 Kollision .....	91
12.2 Niedriger Batteriestand.....	91
<b>13 Gewährleistung.....</b>	<b>92</b>
13.1 Garantiebedingungen.....	92
13.2 Von der Garantie ausgenommen .....	93
13.3 Abwicklung eines Garantiefalls.....	93

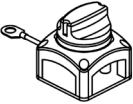
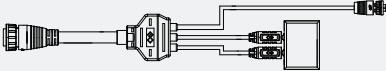
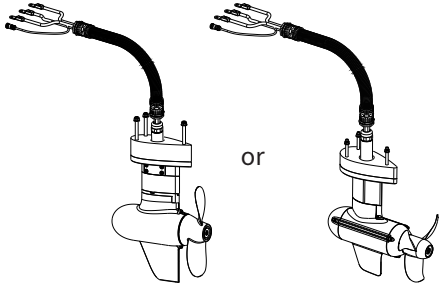
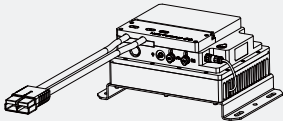
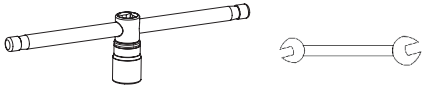


# 1 Produktübersicht

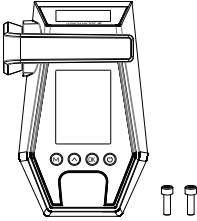
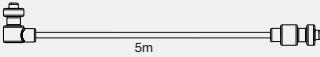
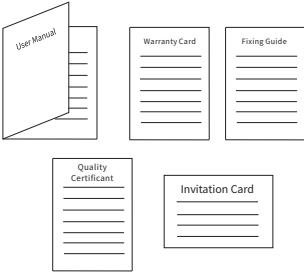
Die Evo Pod-Antriebe 1.0/3.0/6.0 sind elektrische Pod-Antriebssysteme mit 1 kW/3kW/6kW Eingangsleistung. Sie werden entweder über die Evo Fernsteuerung oder eine seitlich montierbare Steuerung betrieben. Pod-Antriebe sind bei Bootseignern in den letzten Jahrzehnten immer beliebter geworden. Allerdings sind nur wenige hochwertige elektrische Pod-Systeme erhältlich. Elektrische Pod-Antriebe sind umweltfreundlich, sauber und sehr effizient. Diese elektrischen Pod-Antriebssysteme entsprechen 3 PS/6 PS/9,9 PS – perfekt für kleine und mittlere Freizeitboote wie Segelboote und einige Motorboote.

## 1.1 Lieferumfang

Packen Sie das Produktpaket mit Ihrem Evo Pod-Antrieb nach Erhalt aus und überprüfen Sie, ob alle nachstehend aufgeführten Teile im Lieferumfang enthalten sind. Bei fehlenden Teilen oder Transportschäden wenden Sie sich bitte umgehend an Ihren Händler.

Teil	Menge/Einheit	Abbildung
<b>Pod Drive 1.0 Evo</b>		
Pod-Motor	1 Satz	
Kommunikationsmodul	1 Satz	

Teil	Menge/Einheit	Abbildung
Netzschalter	1 Satz	
Anschlusskabel für Evo Pod 1.0 und Spirit-Batterie PLUS (separat erhältlich)	1 Satz	
<b>Pod Drive 3.0 Evo und Pod Drive 6.0 Evo</b>		
Pod-Motor	1 Satz	
Kommunikationsmodul	1 Satz	
Schraubenschlüssel-Satz	1 Satz	
Hauptschalterkabel	1 Satz	
Externe aktive GPS-Antenne	1 Satz	

Teil	Menge/Einheit	Abbildung
<b>Auch vom Evo Pod-Antrieb verwendet</b>		
Evo Fernsteuerung (separat erhältlich)	1 Satz	
Kommunikationsmodulkabel	1 Satz	
Bedienungsanleitung, Montageanleitung, Garantiekarte, Einladungskarte & Qualitätszertifikat	1 Satz	

- 💡 Die Evo Fernsteuerung muss separat erworben werden.
- 💡 Weiteres Zubehör, wie Batterien, Ladegeräte usw., das in diesem Handbuch aufgeführt aber nicht in der vorliegenden Packliste enthalten ist, muss vom Anwender bei einem autorisierten ePropulsion Händler erworben werden.
- 💡 Bewahren Sie die Originalverpackung von ePropulsion für Transport und Lagerung auf.

# 1.2 Teile und Zeichnungen

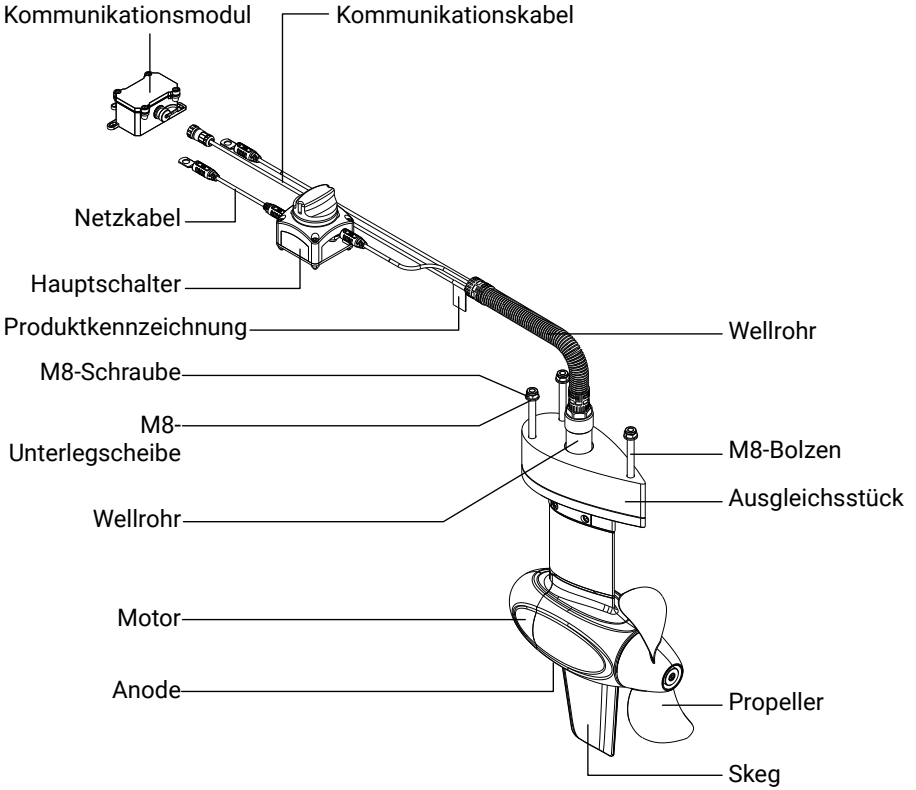


Abbildung 1-1 Pod Drive 1.0 Evo

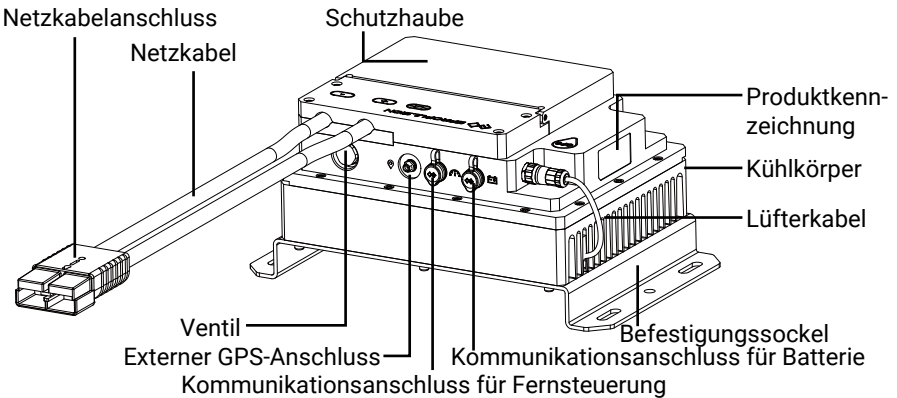


Abbildung 1-2 Treiber für Pod Drive 3.0 Evo und Pod Drive 6.0 Evo

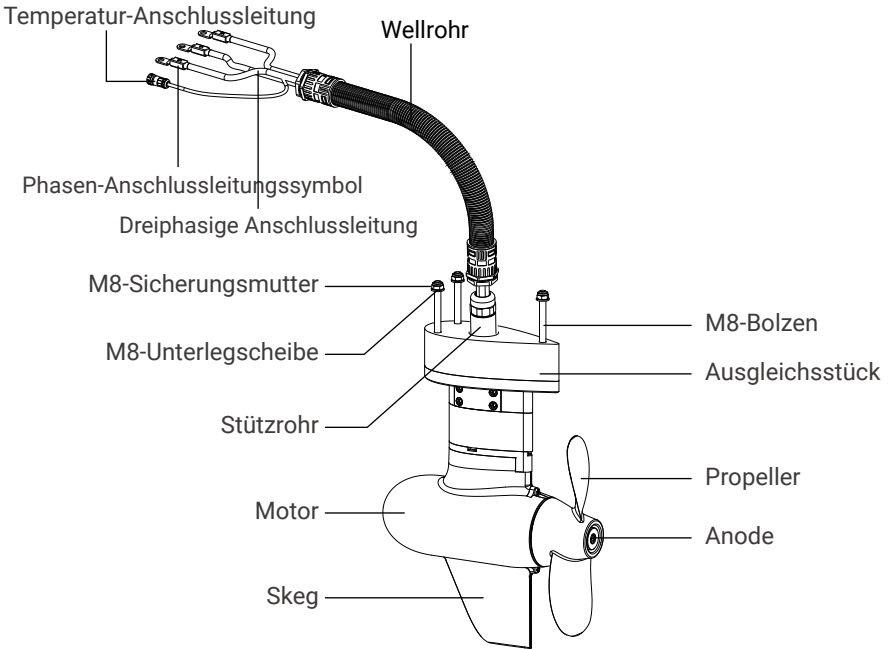


Abbildung 1-3 Pod Drive 3.0 Evo

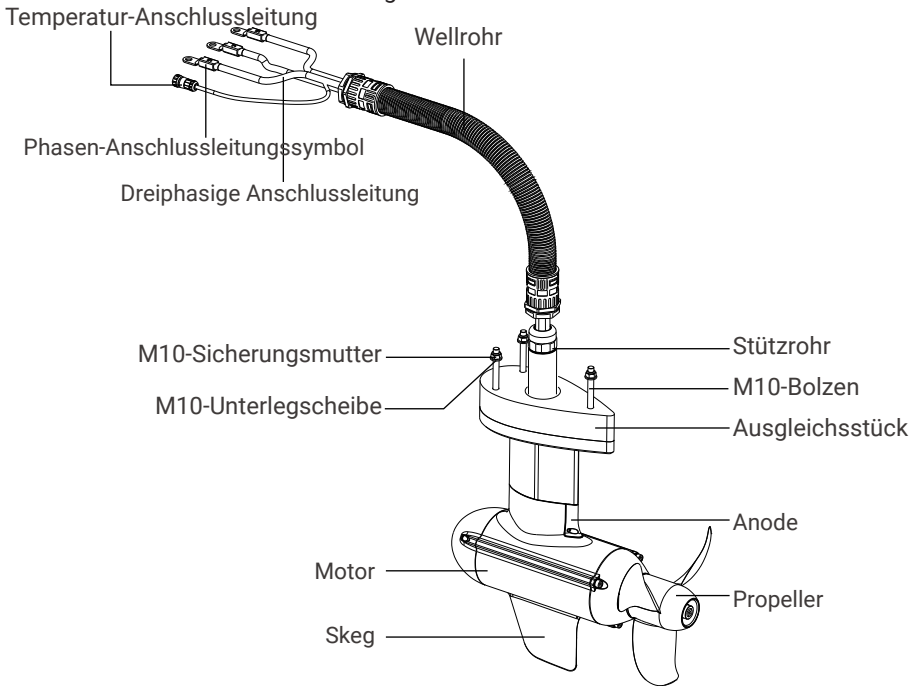


Abbildung 1-4 Pod Drive 6.0 Evo

## 1.3 Technische Daten

	Pod Drive 1.0 Evo	Pod Drive 3.0 Evo	Pod Drive 6.0 Evo
Typ	Elektrischer Pod-Antriebe		
Leistungsaufnahme	1 kW	3 kW	6 kW
Nennspannung	48V		
Vergleichbare Benzin-Außenborder	3 PS	6 PS	9.9 PS
Maximaler Gesamtwirkungsgrad	55%	51%	57%
Nenn Drehzahl	1.200 U/min	2300 U/min	1500 U/min
Steuerungssystem	Evo Fernsteuerung / Evo seitliche Fernsteuerung / Evo Doppel-Fernsteuerung		
Nettogewicht	6,2 kg	15,3 kg	31 kg
Propeller (Durchmesser / Steigung)	280 mm/5,8 Zoll	260 mm (6,73 Zoll)/6,73 Zoll	320 mm/8,73 Zoll

Vorgaben für externe Batterie	
Typ	Blei-Säure-Batterie oder Lithium-Batterie
Nennspannung	48 V
Mindestspannung	39 V
Höchstspannung	60 V
Minimaler kontinuierlicher Entladestrom	28 A
Innenwiderstand	<100 mΩ



## 1.4 Konformitätserklärung

### Gegenstand der Erklärung:

Produkt: Elektrischer Außenbordmotor

Modell: Pod Drive 1.0 Evo, Pod Drive 3.0 Evo, Pod Drive 6.0 Evo

**Name des Unternehmens:** Guangdong ePropulsion Technology Limited

**Anschrift:** Room 201, Bldg.17A, 4th XinZhu Road, SongShan Lake District, Dongguan City, Guangdong Province, China

Der Gegenstand der Erklärung entspricht folgenden Richtlinien:

EMV-Richtlinie 2014/30/EU

Maschinen-Richtlinie 2006/42/EG

Funkanlagen-Richtlinie 2014/53/EU

Angewandte Normen:

EN 55014-1:2017

EN 300328:2019

EN 55014-2:2015

EN 50663:2017

EN 61000-3-2:2014

EN 62368-1:2014+A1:2017

EN 61000-3-3:2013/A1:2019

EN 60204-1:2018

EN 301489-1:2019

EN ISO 12100:2010

EN 301489-3:2019

Dieses Gerät entspricht Abschnitt 15 der FCC-Bestimmungen. Der Betrieb unterliegt den folgenden beiden Bedingungen:

1. Dieses Gerät darf keine schädlichen Störungen verursachen; und
2. Dieses Gerät muss alle empfangenen Störungen annehmen, einschließlich Störungen, die einen unerwünschten Betrieb verursachen können.

Unterschrift:



Shizheng Tao, Chief Executive Officer & Mitbegründer

der Guangdong ePropulsion Technology Limited

## 1.5 Wichtige Hinweise

1. Wenn Sie sich für die kabellose Fernsteuerung entscheiden, sollten Sie die Oberseite des Kommunikationsmoduls/Treibermoduls nicht abdecken, um eine Dämpfung des drahtlosen Signals zu vermeiden.
2. Dieses Produkt darf nur von Erwachsenen bedient werden, die dieses Handbuch vollständig gelesen und verstanden haben. Lesen Sie das gesamte Benutzerhandbuch vor der Inbetriebnahme sorgfältig durch. ePropulsion übernimmt keine Haftung für Schäden oder Fehlfunktionen, die durch die Nichteinhaltung der Anweisungen in diesem Handbuch entstanden sind.
3. Nur Bootsbesitzer, die mit ihren Booten vertraut sind, dürfen dieses Pod-System benutzen. Personen, die sich erst kürzlich ein Boot gekauft haben, sollten zunächst alle Aspekte des Bootes kennenlernen, einschließlich dessen Verhalten unter verschiedenen Bedingungen, und das Steuern des Bootes üben, bevor sie dieses Pod-System montieren und benutzen.
4. Machen Sie sich vor der Inbetriebnahme mit allen Funktionen und Abläufen dieses Produkts vertraut. Wenn sich mehr als eine Person an Bord befinden, sollten Sie sicherstellen, dass auch andere wissen, wie man dieses Pod-Antriebssystem bedient, um bei einem unvorhergesehenen Notfall helfen zu können.
5. Beachten Sie bei der Installation dieses Produkts auf Ihrem Boot die Anweisungen des Bootsbauers. Beauftragen Sie möglichst zertifizierte Bootsbauer oder professionelle Installateure mit der Montage dieses Pod-Systems auf Ihrem Boot. Versuchen Sie keinesfalls, das Pod-System selbst zu installieren, wenn Sie noch nie einen Pod-Antrieb auf Ihrem Boot montiert haben.
6. Prüfen Sie vor der Inbetriebnahme den Wetterbericht.
7. Achten Sie vor der Inbetriebnahme auf Ihre Umgebung. Die rotierenden Propellerblätter von Pod-Antrieben sind sehr gefährlich und können Menschen und andere Lebewesen verletzen. Betreiben Sie den Pod-Antrieb nicht, wenn Personen in der Umgebung schwimmen oder baden.
8. Wenn der Pod-Antrieb die einzige Antriebsquelle Ihres Bootes ist, sollten Sie sicherstellen, dass die Ladung der Batterien an Bord für die Hin- und Rückfahrt reicht. Wir empfehlen Ihnen, die Entfernung und den Batterieverbrauch zu berechnen.
9. Überprüfen Sie vor jeder Fahrt, ob genügend Sicherheitsausrüstung an Bord ist, unter anderem Rettungswesten, Rettungsinseln bzw. -kissen, Feuerlöscher, Trillerpfeifen, Kommunikationsausrüstung, Paddel usw. Informieren Sie sich vor der Inbetriebnahme über die lokalen Sicherheitsbestimmungen für Boote.
10. Schalten Sie den Pod-Antrieb sofort aus, wenn er im Wasser andere Objekte berührt hat. Kehren Sie zum nächstgelegenen Hafen zurück und suchen Sie Ihren Händler auf.

11. Wenn ein Fehlercode angezeigt wird und der Pod-Antrieb nicht ordnungsgemäß funktioniert, bringen Sie den Geschwindigkeitsregler in die Nullstellung und unterbrechen die Stromversorgung. Sehen Sie dann im Abschnitt Warnmeldungen nach, um die Lösung zum Fehler zu ermitteln.
12. Stoppen Sie den Pod-Antrieb sofort, wenn jemand ins Wasser fällt.
13. Betreiben Sie den Pod-Antrieb nur, wenn sich der Propeller unter Wasser befindet.

## 2 Den Propeller prüfen

Überprüfen Sie den Propeller vor der Inbetriebnahme und tauschen Sie ihn bei Bedarf aus, z. B. wenn der ursprüngliche Propeller defekt ist.

Folgen Sie für die ordnungsgemäße Montage eines Propellers den Anweisungen in Abbildung 2-1~2-3.

### Zusammenbau eines Propellers für den Pod Drive 1.0 Evo:

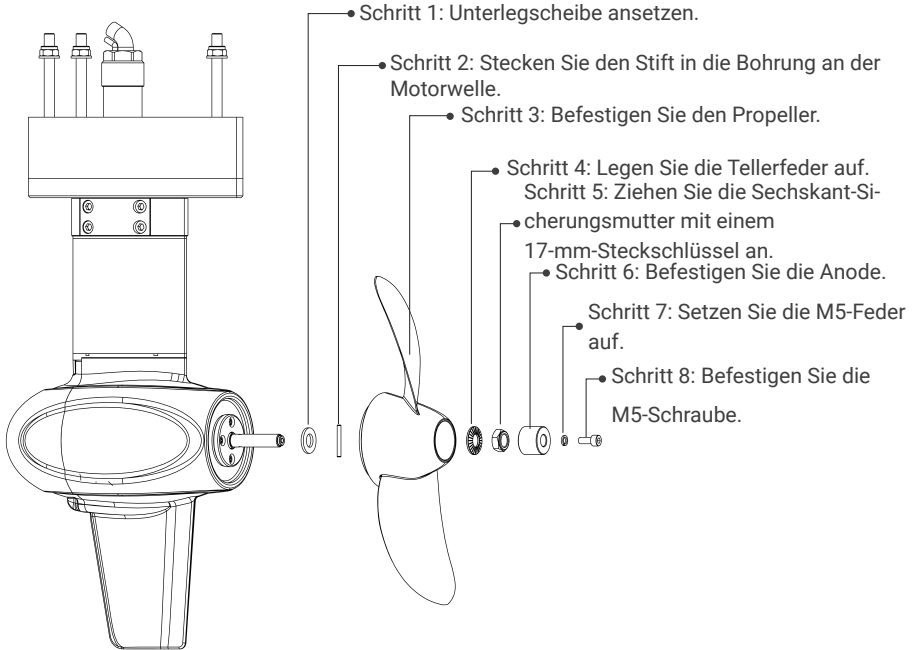


Abbildung 2-1

### Zusammenbau eines Propellers für den Pod Drive 3.0 Evo:

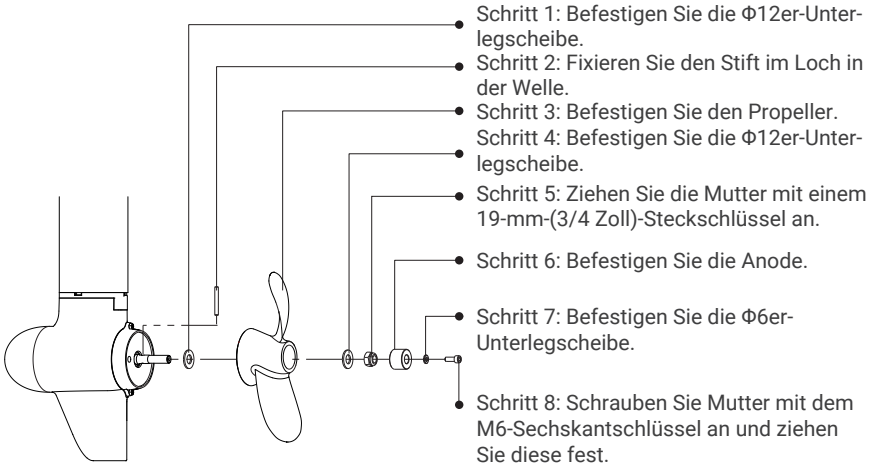


Abbildung 2-2

### Zusammenbau eines Propellers für den Pod Drive 6.0 Evo:

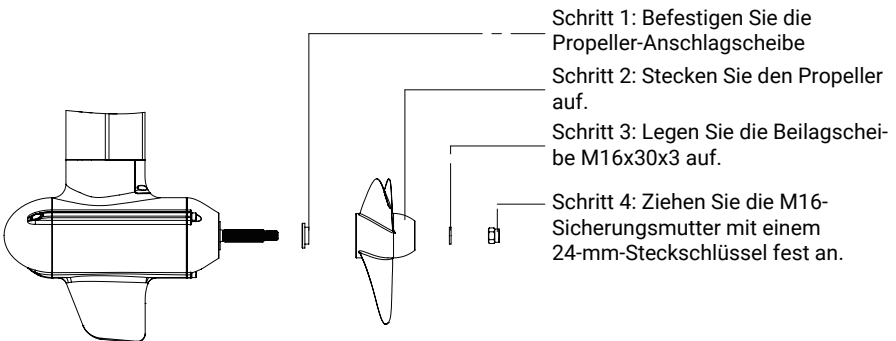


Abbildung 2-3

# ACHTUNG!

**Die Montage des Motors darf nur von geschultem Fachpersonal durchgeführt werden!**

Vergewissern Sie sich, dass Ihr Rumpf von der Beschaffenheit und vom Zustand in der Lage ist, die Kräfte des Antriebs unter Vollast sowie bei schwerem Wetter mit starkem Wellengang, schadlos aufzunehmen! Ggf. muss der Rumpf entsprechend verstärkt werden, um die Kräfte sicher aufzunehmen und das Rumpfmateriale vor Ermüdung und so vor Schäden zu schützen.

Bohren Sie die Löcher nicht größer als angegeben und verwenden Sie stets ausreichend und für Ihr Rumpfmateriale geeignetes Dichtmateriale (nicht im Lieferumfang enthalten)!

Kontrollieren Sie vor jeder Nutzung den Zustand der Montagebolzen sowie der gesamten Installation auf Dichtigkeit und Kraftschlüssigkeit der Verbindung zwischen Motor und Rumpf!

**Ein mangel- oder fehlerhaft montierter Motor kann zu Wassereintritten und zum Sinken des Bootes führen! Es besteht Lebensgefahr!**

**Der Hersteller haftet nicht für Schäden, die durch einen mangel- oder fehlerhaften Einbau verursacht wurden!**

# 3 Den Motor montieren

**Schritt 1:** Bohren Sie vier Löcher an der richtigen Stelle in den Rumpfunterseite. Die empfohlenen Abmessungen der vier Bohrungen sind nachstehend dargestellt (siehe Montageschablone)

Pod Drive 1.0 Evo:

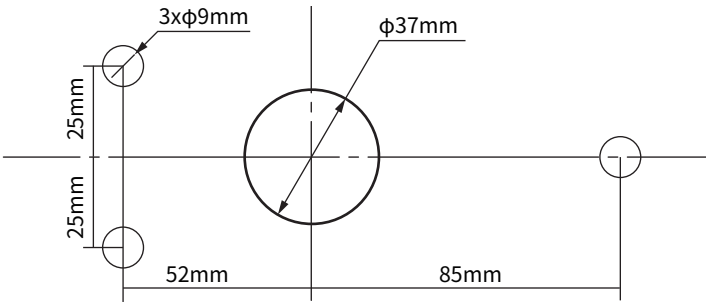


Abbildung 3-1

Pod Drive 3.0 Evo:

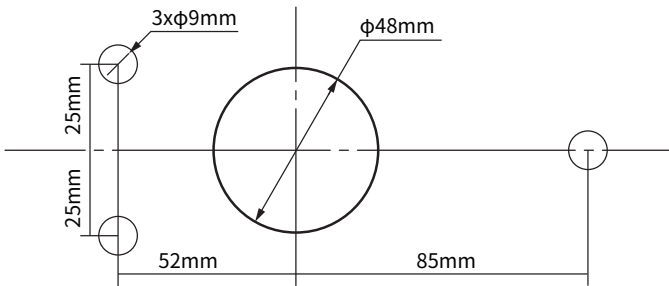


Abbildung 3-2

Pod Drive 6.0 Evo:

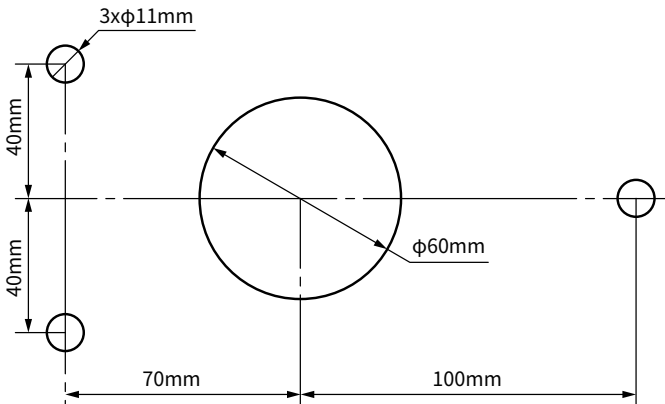


Abbildung 3-3

**Schritt 2:** Halten Sie den Pod-Motor fest und setzen Sie die drei Bolzen (M8 für die Pod Drive 1.0 & 3.0, M10 für den Pod Drive 6.0) und das Stützrohr von der Unterseite des Rumpfes in die Löcher ein. Sichern Sie dann alle Bolzen vom Bootsinneren her mit jeweils einer Beilagscheibe und einer Mutter (Abbildung 3-4).

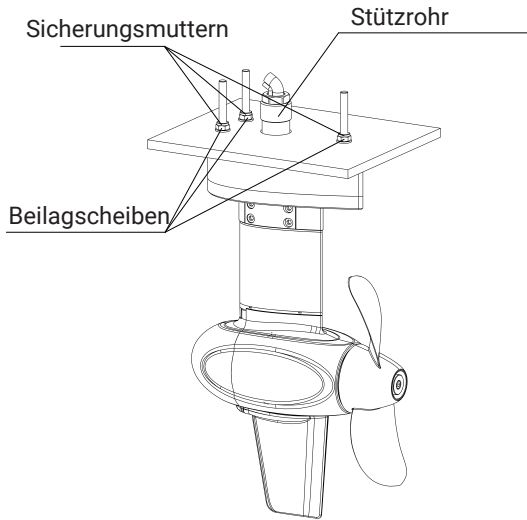


Abbildung 3-4

**Pod Drive 1.0 Evo:**

**Schritt 3:** Setzen Sie das Kommunikationsmodul an der gewünschten Stelle auf eine Unterlage und befestigen Sie es mit M4-Schrauben.

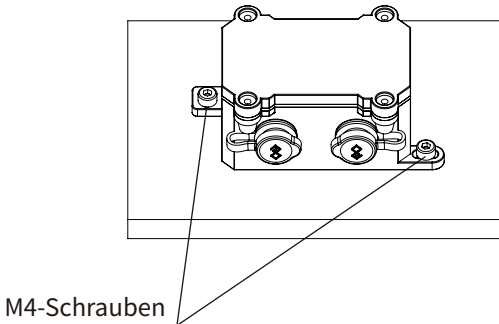


Abbildung 3-5

**Schritt 4:** Schließen Sie den Netzschalter an den Pluspol (rote Leitung) des Netzkabels des Evo Pod-Antriebs 1.0 an.



### Pod Drive 3.0 und 6.0 Evo:

**Schritt 3:** Überprüfen Sie die drei Phasenleitungen U-U1, V-V1, W-W1, stecken Sie die drei Phasenleitungen in die Phasenleitungsklemme ein; befestigen Sie die Klemme mit der M10-Sechskantschraube und der Unterlegscheibe (Anzugsdrehmoment 8 -10 Nm) am Treiber; stecken Sie schließlich die Temperatur-Anschlussleitung in den entsprechenden Anschluss und ziehen Sie sie fest.

**⚠** Bitte prüfen Sie, ob die U-, V-, und W-Anschlüsse korrekt ausgeführt sind, da der Motor sonst falsch herum drehen könnte.

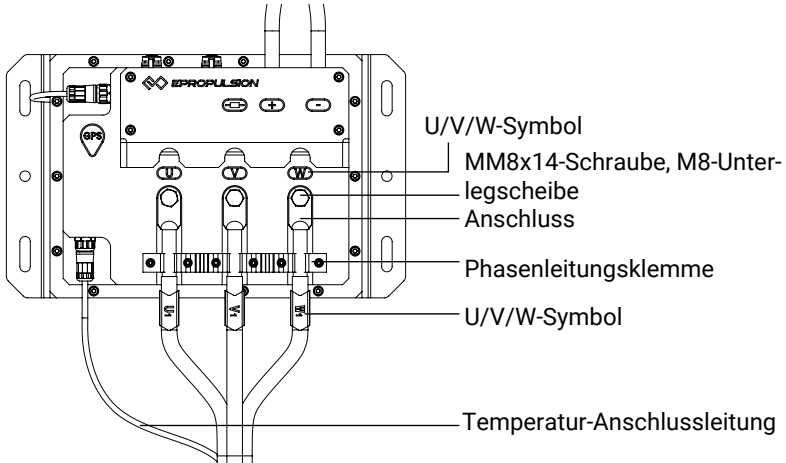


Abbildung 3-6

**Schritt 4:** Setzen Sie das Treibermodul an der richtigen Stelle auf die Platine und befestigen Sie es mit M8-Schrauben (siehe Abbildung 3-8 für die Befestigungsbohrungen).

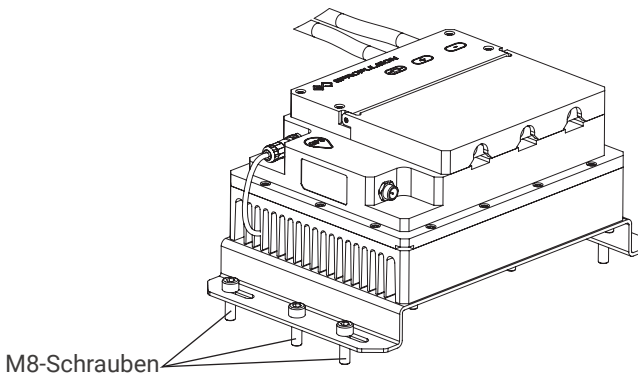


Abbildung 3-7

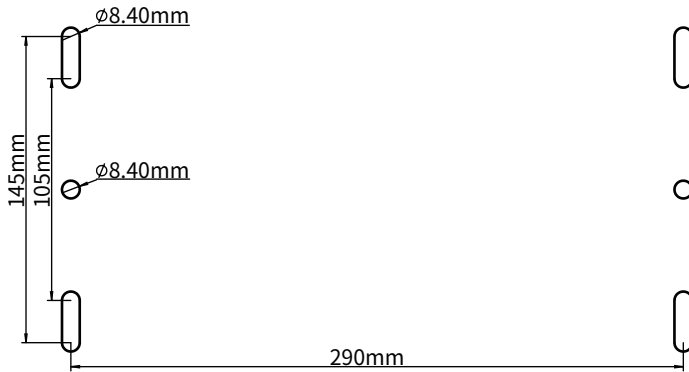


Abbildung 3-8

💡 Um den Fahrer sollte mehr als 120mm Platz für den Luftstrom reserviert werden.

## 4 Anschließen der Batterie

### 4.1 Anschließen einer 48-V-Batterie

Vergewissern Sie sich, dass der Hauptschalter ausgeschaltet ist bevor Sie die Batterie anschließen, und befestigen Sie die Batterie und das Kommunikationsmodul/den Kommunikationstreiber am Boot.

1. Schließen Sie das Stromkabel des Pod-Antriebs an die Batterie an.
2. Wenn Sie ePropulsion-Batterien verwenden, verbinden Sie bitte die Batterie und den Pod-Antrieb mit einem Kommunikationskabel.

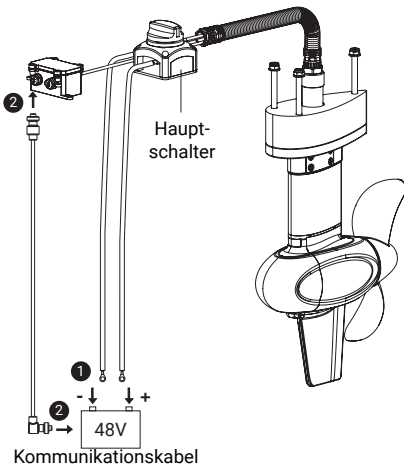


Abbildung 4-1

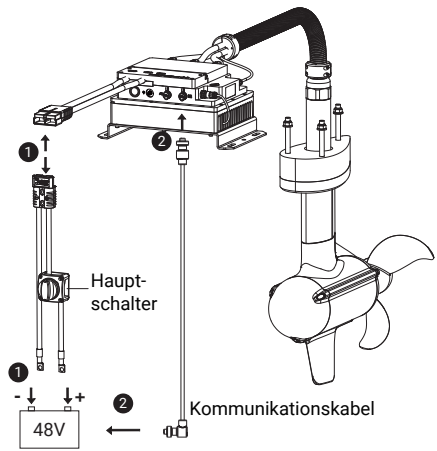


Abbildung 4-2

- ⚠️ Kurzschluss der Batterie vermeiden.
- ⚠️ Unterbricht die Stromversorgung, wird der Außenborder gestoppt.
- ⚠️ Kurzschluss zwischen dem Hauptschalter und anderen Stromquellen vermeiden. Der Hauptschalter muss im Boot fest eingebaut werden. Die Rückwand des Hauptschalters darf niemals entfernt werden.
- 💡 Vor dem Betrieb den Hauptschalter im Uhrzeigersinn drehen, um die Spannungsversorgung der Batterie einzuschalten.
- 💡 Die Kapazität kann auch durch mehrere parallel geschalteten Batterien vergrößert werden.
- 💡 Nach einem langen Einsatz können sich die Verbindungsschrauben des Hauptschalters und Netzkabels lösen. Lockere Verbindungsschrauben verursachen Wackelkontakte. Zur Fehlerbehebung öffnen Sie die Rückwand des Schalters und ziehen Sie die Schrauben wieder fest. Anschließend muss die Rückwand des Schalters unbedingt wieder sachgemäß montiert werden.

## 4.2 Anschließen einer Spirit Batterie PLUS (nur für den Pod Drive 1.0 Evo)

Wenn Sie den Pod Drive 1.0 Evo zusammen mit der Spirit Batterie PLUS verwenden, befolgen Sie bitte die folgenden Schritte, um die Spirit Batterie PLUS und das Kommunikationsmodul des Evo Pod-Antriebs 1.0 anzuschließen:

1. Bevor Sie die Batterie und das Kommunikationsmodul anschließen, befestigen Sie bitte die Batterie und das Kommunikationsmodul am Boot.
2. Schließen Sie das Anschlusskabel für den Pod Drive 1.0 Evo und die Spirit Batterie PLUS (separat erhältlich) an das Stromkabel der Maschine an.
3. Verbinden Sie den Stromkabelstecker mit dem Batterieentladeanschluss und das Kommunikationskabel mit dem Anschluss des Kommunikationsmoduls (wie in der nachstehenden Abbildung gezeigt) und ziehen Sie den Anschluss im Uhrzeigersinn fest.

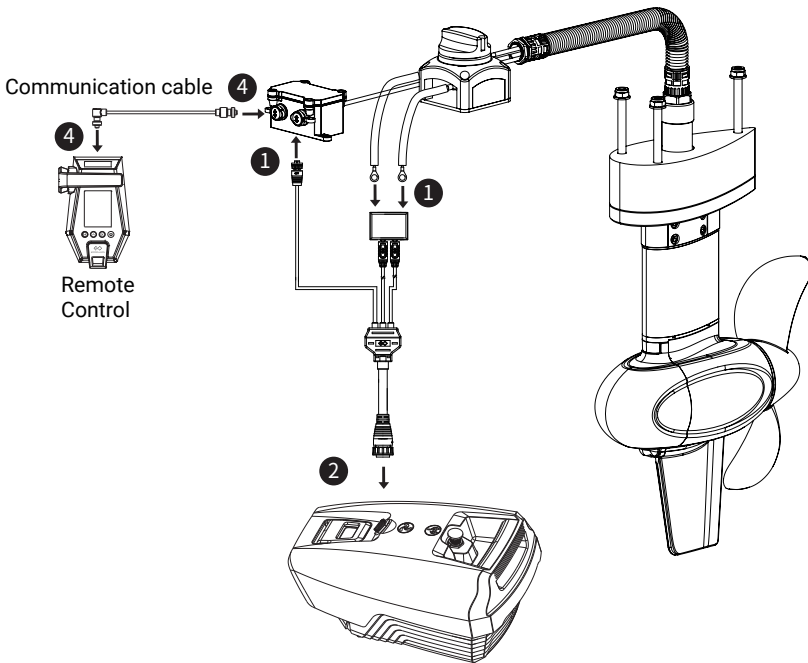


Abbildung 4-3

**⚠** Schließen Sie den Hauptschalter nicht mit anderen Netzteilen kurz. Der Hauptschalter sollte am Boot montiert sein, und die Rückplatte des Hauptschalters darf nicht entfernt werden.

# 5 Evo Fernsteuerung

## 5.1 LCD-Display

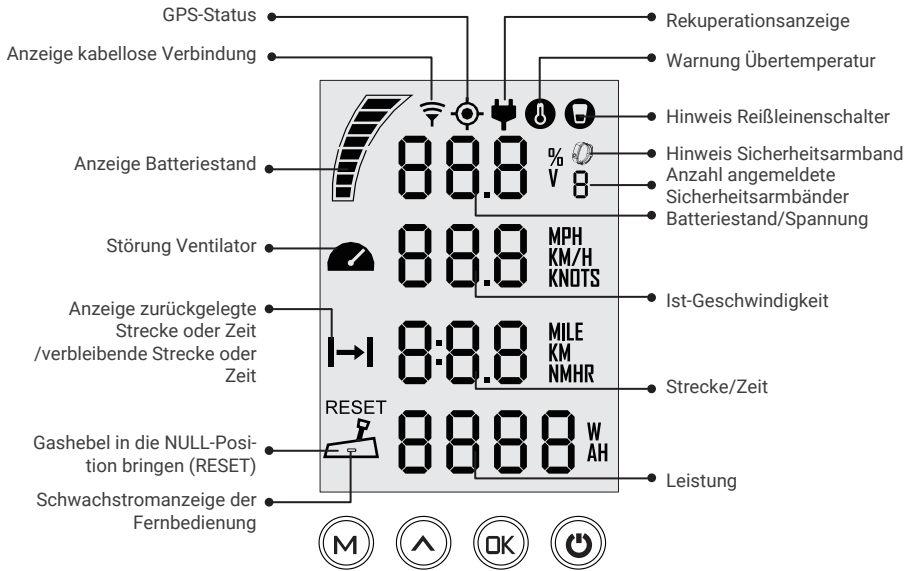

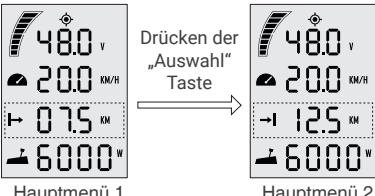






Abb. 5-1













Tasten	Funktionen
 <p>„EIN/AUS“</p>	<ol style="list-style-type: none"> <li>1. Im ausgeschalteten Zustand wird die Evo Fernsteuerung eingeschaltet, wenn die EIN/AUS-Taste gedrückt und kurz gehalten wird.</li> <li>2. Im eingeschalteten Zustand wird die Evo Fernsteuerung ausgeschaltet, wenn die EIN/AUS-Taste gedrückt und kurz gehalten wird.</li> <li>3. Im eingeschaltetem Zustand kann die Hintergrundbeleuchtung des Displays durch kurzes Drücken der EIN/AUS-Taste ein- bzw. ausgeschaltet werden.</li> </ol>

Tasten	Funktionen
<p><b>OK</b> „OK“</p>	<ol style="list-style-type: none"> <li>1. Durch Drücken der „OK“ Taste im Setup-Menü kann die aktuelle Einstellung gespeichert werden. Die nächste Option wird dann ausgewählt.</li> <li>2. Durch langes Drücken der „OK“ Taste im Setup-Menü wird die aktuelle Einstellung gespeichert und anschließend zum Hauptmenü gewechselt.</li> <li>3. Wenn das Hauptmenü erscheint oder auf dem Display alle Zeichen zu sehen sind, kann durch langes Drücken (5 Sekunden) der „OK“ Taste zum Menü für die Kopplung der Evo Fernsteuerung gewechselt werden.</li> <li>4. Durch Drücken der „OK“ Taste im Hauptmenü kann die Anzeige zwischen „Spannung V“ und „Batteriestand %“ gewechselt werden.</li> </ol>
<p><b>V</b> „Auswahl“</p>	<ol style="list-style-type: none"> <li>1. Im beliebigen Setup-Menü können durch Drücken der „V“ Taste die Optionen für das Setup angezeigt werden.</li> <li>2. Im eingeschalteten Zustand und beim Erscheinen des Hauptmenüs kann durch langes Drücken (10 Sekunden) der „V“ Taste zum Menü für die Kalibrierung des Gashebels gewechselt werden.</li> <li>3. Durch Drücken der „V“ Taste im Hauptmenü können die Anzeigen der Strecke oder Zeit zwischen Symbol „→ “ (verbleibend) und „ ←“ (zurückgelegt) gewechselt werden.</li> </ol> <div style="text-align: center;">  <p>Drücken der „Auswahl“ Taste</p> </div>





Tasten	Funktionen
<p><b>M</b> „Menü“</p>	<p>1. Im eingeschalteten Zustand und beim Erscheinen des Hauptmenüs kann durch Drücken (kurz gedrückt halten) der „<b>M</b>“ Taste zum Menü der benutzerdefinierten Einstellungen gewechselt werden.</p> <div style="text-align: center; border: 1px solid black; padding: 5px; width: fit-content; margin: 10px auto;">  </div> <p style="text-align: center;">Menü der benutzerdefinierten Einstellungen</p> <p>2. Im Menü der benutzerdefinierten Einstellungen kann durch Drücken (kurz gedrückt halten) der „<b>M</b>“ Taste in das Setup-Menü für die Batterie gewechselt werden.</p> <div style="text-align: center; border: 1px solid black; padding: 5px; width: fit-content; margin: 10px auto;">  </div> <p style="text-align: center;">Setup-Menü für die Batterie</p> <p>3. Im beliebigen Menü kann durch Drücken der „<b>M</b>“ Taste zum Hauptmenü gewechselt werden.</p>

 Werden keine Änderungen zu den Parametern in diesem Menü vorgenommen, so werden die angezeigten Werte als Voreinstellungen für den Benutzer gespeichert.

Beschreibung	Funktionen	
	<p>Batteriestand Anzeige</p>	<p>Batteriestandsanzeige (ungefähr). Schwarze Felder zeigen verbleibende Batterieladung.</p>

Beschreibung	Funktionen	
<p><b>48.0V</b></p>	<p>Batteriestand / Spannung</p>	<p>Genauere Anzeige des aktuellen Batteriestands (%) / Batteriespannung.</p> <p>Konfigurationen können im Menü der benutzerdefinierten Einstellungen vorgenommen werden.</p> <p>Beispiel:</p> <p><b>100%</b>: digitale Darstellung des aktuellen Batteriestands.</p> <p><b>48.0V</b>: Anzeige der aktuellen Batteriespannung.</p>
	<p>GPS-Status Anzeige</p>	<ul style="list-style-type: none"> <li> Leuchtet nicht: kein Empfang oder GPS funktioniert nicht.</li> <li> Leuchtet dauerhaft: GPS-Empfang vorhanden.</li> </ul>
	<p>Warnung Übertemperatur</p>	<ul style="list-style-type: none"> <li> Leuchtet nicht: Temperatur im Normalbereich.</li> <li> Blinkend: Temperatur leicht erhöht, maximale Leistungsaufnahme des Motors wird gesenkt.</li> <li> Leuchtet dauerhaft: Temperatur zu hoch. Ausenboder schaltet sich aus. Erst nach Erreichen einer niedrigeren Temperatur kann der Außenboder wieder eingeschaltet werden.</li> </ul>
	<p>Reißleinenschalter Status</p>	<ul style="list-style-type: none"> <li> Leuchtet nicht: Reißleinenschalter eingebaut und System im Betrieb.</li> <li> Leuchtet dauerhaft: Reißleinenschalter nicht angeschlossen.</li> </ul>
<p><b>88.8</b> MPH KM/H KNOTS</p>	<p>Ist-Geschwindigkeit</p>	<p>Zeigt die Echtzeit-Fahrtgeschwindigkeit des Bootes an. Im „Unit Setting“ Menü kann die gewünschte Einheit (KM/H, MPH oder KNOTS) eingestellt werden.</p>
	<p>Störung Ventilator</p>	<ul style="list-style-type: none"> <li> Blinkt: Ventilator hat Störung. Die Verdrahtung des Ventilators durch Ihren Vertragshändler überprüfen lassen.</li> </ul>
<p><b>8:8.8</b> MILE KM NMHR</p>	<p>Anzeige Strecke / Zeit</p>	<p>Anzeige der Echtzeit-Strecke / Zeit.</p> <p>Im Menü „Unit Setting“ kann die gewünschte Einheit, MILE, KM (Kilometer) oder NM (Seemeile), eingestellt werden. Die Zeit wird in Stunden angezeigt.</p>



Beschreibung	Funktionen	
	<p>Zurückgelegte Strecke / verbleibende Strecke</p>	<p> : verbleibende Strecke oder Zeit.  : zurückgelegte Strecke oder abgelaufene Zeit.                      Im Menü „Unit Setting“ kann die gewünschte Einheit, MILE, KM (Kilometer) oder NM (Seemeile), eingestellt werden. Die Zeit wird in Stunden angezeigt.                 </p>
	<p>Leistung Gashebel</p>	<p>Zeigt die Echtzeit-Leistung des Geräts an. Blinkendes Symbol bedeutet, dass der Gashebel in die NULL-Position geschaltet werden soll.</p>
	<p>Anzeige kabellose Verbindung</p>	<p>Zeigt an, dass zwischen der Evo Fernsteuerung und des Außenborders eine kabellose Verbindung besteht.</p>
	<p>Rekuperationsanzeige</p>	<p>  Leuchtet dauerhaft: Rekuperation ist aktiviert.   Blinkt: Die Batterie wird vom Motor geladen.                 </p>
	<p>Verbindungsanzeige Sicherheitsarmband</p>	<p>  Leuchtet dauerhaft: Das Sicherheitsarmband wurde erfolgreich mit der Evo Fernsteuerung verbunden.   Blinkt: Mindestens ein Sicherheitsarmband nicht verbunden.                      Die Zahl steht für die Anzahl der mit der Evo Fernsteuerung verbundenen Sicherheitsarmbänder.                 </p>

## 5.2 Laden

Die Evo Fernsteuerung besitzt eine integrierte Batterie als Stromversorgung. Beim normalen Betrieb wird die Batterie automatisch geladen, entweder über Solarenergie oder das Ladekabel.

### 5.2.1 Laden über Solarenergie (empfohlen)

Beim Empfang ausreichender Sonnenstrahlung auf dem Solarpanel wird die integrierte Lithium-Batterie automatisch geladen.

💡 Um eine schnellere Ladung zu gewährleisten, sollte das Solarpanel ins Sonnenlicht gestellt werden.

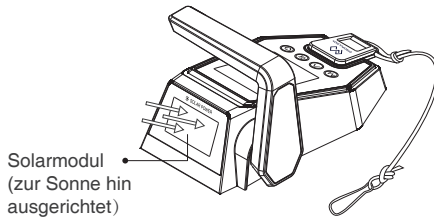


Abb. 5-2

💡 Es wird empfohlen, über das Solarpanel zu laden.

### 5.2.2 Laden über Ladekabel

Wenn die Evo Fernsteuerung über längere Zeit nicht genug Sonnenstrahlung bekommt, wird die Batterie weiter entladen. In diesem Fall erscheint auf dem Display der Evo Fernsteuerung der Fehlercode E60 (Abb. 5-3). Diese Warnmeldung weist darauf hin, dass die Evo Fernsteuerung geladen werden soll.

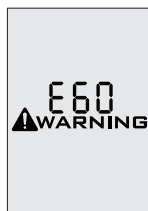


Abb. 5-3

In diesem Fall kann das Laden durch ein Ladekabel beschleunigt werden.

Die Evo Fernsteuerung mit einem Verbindungskabel an das Kommunikationsmodul / den Antrieb des Pod-Antriebs anschließen. Die Verbindung zwischen der Batterie und dem Pod-Antrieb aufrechterhalten und die Stromversorgung einschalten.

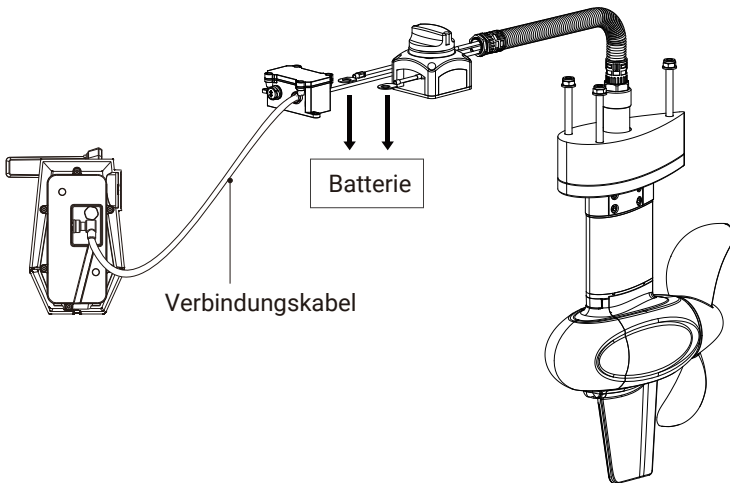



Abb. 5-4

- ⚠ Bei einer Langzeitlagerung sollte die Evo Fernsteuerung einmal alle sechs Monate vollständig aufgeladen werden, um eine Tiefentladung zu vermeiden.
- ⚠ Kurzschluss zwischen dem Hauptschalter und anderen Stromquellen vermeiden. Der Hauptschalter muss im Boot fest eingebaut werden. Die Rückwand des Hauptschalters darf niemals entfernt werden.
- 💡 Vor der Inbetriebnahme nach einer Langzeitlagerung laden Sie die Evo Fernsteuerung zuerst vollständig auf.
- 💡 Wenn Sie die Evo Fernsteuerung während des Ladens einschalten und damit den Pod-Antrieb ansteuern, wird der Pod-Antrieb sofort gestoppt, wenn die Kabelverbindung zwischen dem Motor und der Evo Fernsteuerung unterbrochen wird. In diesem Fall muss der Pod-Antrieb neu eingeschaltet werden.

## 5.3 Leistungsanpassung

### 5.3.1 Motorleistung anpassen für Evo Fernsteuerung

 Vor der Inbetriebnahme muss der Reißleinschalter auf die Evo Fernsteuerung aufgelegt werden.

Die Evo Fernsteuerung wird hauptsächlich zum Anpassen der Motor-Eingangsleistung verwendet. Klemmen Sie die Batterie ordnungsgemäß an und schalten Sie sie ein. Schalten Sie anschließend die Fernsteuerung ein, um den Pod-Antrieb einzuschalten und drücken Sie den Geschwindigkeitsregler langsam in die Vorwärts-Stellung, um die Drehzahl zu erhöhen. Die maximale Vorwärts-/Rückwärtsleistung ist nachstehend dargestellt.

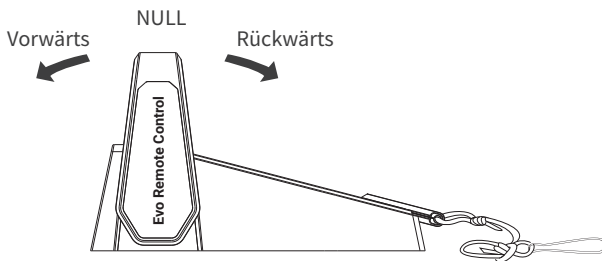





Abbildung 5-5

Modell	Max. Vorwärtsleistung	Max. Rückwärtsleistung
Pod Drive1.0 Evo	1 kW	1 kW
Pod Drive3.0 Evo	3 kW	3 kW
Pod Drive6.0 Evo	6 kW	6 kW

 Bevor Sie die Fernsteuerung einschalten, müssen Sie den Geschwindigkeitsregler in die Leerlauf-Stellung (Neutral) bringen.

 Blinkt die „RESET“-Anzeige im Display, müssen Sie den Geschwindigkeitsregler in die Nullstellung zurückschalten.

 Wenn Sie den Geschwindigkeitsregler direkt aus der Vorwärts- in die Rückwärts-Stellung ziehen, stoppt der Motor zunächst kurz und dreht sich dann in die entgegengesetzte Richtung.

### 5.3.2 Kalibrieren

Wenn der Fehlercode wie in der Abb. 5-6 auf dem Display erscheint, muss der Gashebel genau nach den unten beschriebenen Schritten kalibriert werden.









 Vor der Kalibrierung den zugehörigen Reißleinschalter auf die vorgesehene Position legen. Andere magnetische Gegenstände dürfen nicht als Ersatz für den Reißleinschalter verwendet werden.



Abb 5-6

Neukalibrierungsprozess	LCD-Display-Anzeigen
<p>Schritt 1: Drücken Sie die Taste „  “ 10 Sekunden lang, bis „CAL FO“ angezeigt wird.</p>	
<p>Schritt 2: Bringen Sie den Geschwindigkeitsregler in die maximale Vorwärts-Stellung und drücken Sie dann die Taste „  “. Es wird „CAL 5t“ angezeigt, wobei „CAL“ blinkt.</p>	
<p>Schritt 3: Ziehen Sie den Geschwindigkeitsregler in die mittlere (Leerlauf-)Position, wo Sie ein Klickgeräusch hören werden, drücken Sie dann die Taste „  “, „CAL bA“ wird angezeigt und „CAL“ blinkt.</p>	
<p>Schritt 4: Bringen Sie den Geschwindigkeitsregler in die maximale Rückwärts-Stellung und drücken Sie dann die Taste „  “. Es wird automatisch zur Hauptseite zurückkehren.</p>	

## 5.4 Reißleinschalter einsetzen

Die Reißleine um Ihr Handgelenk legen oder an Ihrer Schwimmweste befestigen.

Im Notfall kann der Motor durch Entfernen des Reißleinschalters gestoppt werden.

Vor dem erneuten Start des Motors muss der Reißleinschalter wieder auf die vorgesehene Position angebracht werden.

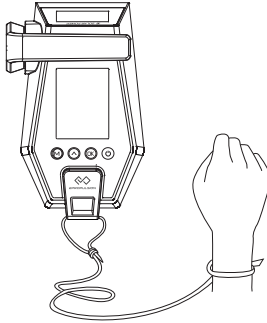


Abb. 5-7

**!** Der Reißleinschalter erzeugt ein Magnetfeld. Zwischen Personen mit Herzschrittmachern oder implantierten Defibrillatoren, magnetischen Karten bzw. anderen magnetischen Gegenständen und dem Schalter muss ein Sicherheitsabstand von mindestens 50 cm eingehalten werden.

**!** Das Magnetfeld des Reißleinschalters beeinflusst elektrische Messgeräte und muss daher von ihnen ferngehalten werden.

## 5.5 Sicherheitsarmband einsetzen

### 5.5.1 Registrierung des Sicherheitsarmbands mit der Evo Fernsteuerung (Kopplung)

Die Taste „**V**“ und „**OK**“ drücken und kurz gedrückt halten. Auf dem Display erscheinen das Symbol für das Sicherheitsarmband und die Buchstaben SE. Das zu registrierende Sicherheitsarmband in die Nähe bringen und einschalten. Wenn die Buchstaben „SUC“ auf dem Display von der Evo Fernsteuerung erscheinen, dann ist die Kopplung erfolgreich abgeschlossen. Durch kurzes Drücken der „**OK**“ Taste in diesem Menü können weitere Sicherheitsarmbänder (max. 8) registriert werden. Nach dem Abschluss kann durch Drücken der „**M**“ Taste in das Hauptmenü gewechselt werden.

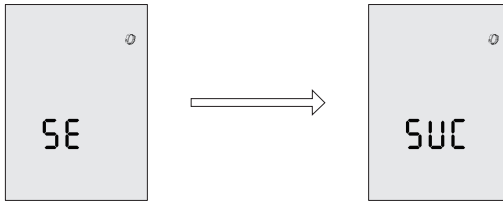


Abb. 5-8

### 5.5.2 Mann-über-Bord-Schutz

Nach der erfolgreichen Registrierung der Sicherheitsarmbänder in der Evo Steuerung wird der Außenborder sofort gestoppt, wenn ein Sicherheitsarmband ins Wasser fällt und die Kommunikation mit der Evo Fernsteuerung dadurch unterbricht. Hierzu muss die Evo Fernsteuerung im Betrieb sein. Das Display der Evo Steuerung fängt an zu blinken und gibt einen warnenden Ton aus. Gleichzeitig blinkt das Symbol für das Armband und die darunter stehende Zahl (Anzahl der gemeldeten Armbänder) wird reduziert. Nachdem der Gashebel in die NULL-Position gebracht wird, kann der Motor wieder betrieben werden. Das Warnsignal aus der Evo Steuerung hört auf zu blinken, aber das Display blinkt weiter. Falls Sie sicher sind, dass die Warnung zurückgesetzt werden soll, dann müssen Sie die Evo Steuerung oder das Sicherheitsarmband, das die Verbindung mit der Steuerung verloren hat, neu starten.

### 5.5.3 Not-Aus

Nach der erfolgreichen Registrierung der Sicherheitsarmbänder in der Evo Steuerung

wird der Außenborder sofort gestoppt, wenn die Bedientaste des Sicherheitsarmbands kurz betätigt wird. Dabei muss die Evo Fernsteuerung im Betrieb sein. Das Display der Evo Steuerung fängt an zu blinken und gibt einen warnenden Ton aus. Gleichzeitig blinkt das Symbol für das Armband und die darunter stehende Zahl (Anzahl der gemeldeten Armbänder) wird reduziert. Nachdem der Gashebel in die NULL-Position gebracht wird, kann der Motor wieder betrieben werden. Das Warnsignal aus der Evo Steuerung hört auf zu blinken, aber das Display blinkt weiter. Falls Sie sicher sind, dass die Warnung zurückgesetzt werden soll, dann müssen Sie die Evo Steuerung neu starten oder nach 5 Sekunden das Sicherheitsarmband betätigen, damit es wieder in das Betriebsmodus wechselt.




Wenn ein Sicherheitsarmband die Verbindung verliert, oder nach einem Not-Aus, wird die Stopp-Funktion der restlichen Armbänder vorerst deaktiviert, bis der Normalzustand wiederhergestellt ist.

## 5.6 Registrierung der Evo Fernsteuerung im Pod-Antrieb (Kopplung)

Vor der Inbetriebnahme muss die Evo Fernsteuerung im Pod-Antrieb registriert werden. Für die Registrierung gibt es zwei Möglichkeiten. Bitte eine der folgenden Methode für die Registrierung auswählen und damit die Registrierung durchführen.

### Methode 1: kabellos

Schritt 1: Den Pod-Antrieb und die Evo Fernsteuerung ausschalten. Die Evo Fernsteuerung in die Nähe (näher als 0,5 Meter) des Kommunikationsmoduls / Antriebs des Pod-Antriebs bringen.

Schritt 2: Durch langes Drücken der „“ Taste an der Evo Fernsteuerung einschalten.

Schritt 3: Sicherstellen, dass das Symbol für kabellose Verbindung dauerhaft leuchtet.

Schritt 4: Durch langes Drücken der „OK“ Taste auf der Evo Fernsteuerung in das Kopplungsmenü wechseln (Abb. 5-9). Im Kopplungsmenü finden Sie die blinkenden Buchstaben „Add“ und „Auf“ und einen Rückwärtszähler „060“.



Abb. 5-9  
86



Schritt 5: Netzschalter einschalten und abwarten, bis die Kopplung des Pod-Antriebs mit der Evo Fernsteuerung automatisch abgeschlossen ist.

Schritt 6: Nach dem Vorgang erscheint folgendes auf dem Display. (siehe Abbildung unten)

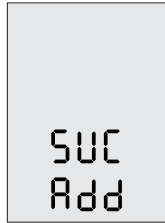


Abb. 5-10



Falls die Kopplung nicht innerhalb von 60 Sekunden abgeschlossen wird, wiederholen Sie die Schritte ab 3.

Methode 2: Über Verbindungskabel

Schritt 1: Den Pod-Antrieb und die Evo Fernsteuerung ausschalten.

Schritt 2: Mit einem Verbindungskabel den Pod-Antrieb und die Evo Fernsteuerung verbinden.

Schritt 3: Den Pod-Antrieb und die Evo Fernsteuerung einschalten. Die Kopplung findet automatisch statt. Wenn das Hauptmenü erscheint, ist die Kopplung erfolgreich abgeschlossen.



Auch wenn eine kabellose Verbindung bereits besteht, wechselt das Gerät in den Kabelmodus, wenn ein Verbindungskabel angeschlossen wird.



Beim Wechsel auf eine neue Steuerung oder einen neuen Pod-Antrieb bleibt die ursprüngliche Kommunikation nicht bestehen. Eine Störung der Verbindung wird angezeigt. Auf dem Display der Evo Fernsteuerung wird das Hauptmenü wie unten im Bild dargestellt. In diesem Fall muss die Kopplung erneut durchgeführt werden.

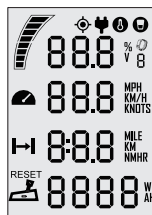


Abb. 5-11

Falls die Evo Fernsteuerung oder der Pod-Antrieb nicht ausgetauscht wurden und das Hauptmenü trotzdem wie oben dargestellt wird, dann überprüfen Sie:

1) ob die Evo Fernsteuerung nah genug am Pod-Antrieb ist.

2) ob alle Geräte richtig eingeschaltet sind.

Falls das Display der Evo Fernsteuerung nach den Prüfungen das Hauptmenü immer noch wie oben (Abb. 5-11) anzeigt, dann ist der Pod-Antrieb defekt und er muss repariert werden.

## 5.7 Warnmeldungen

Bei fehlerhaftem Betrieb oder Störungen des Pod-Antriebs erscheinen Fehlercodes auf dem Display als Warnmeldungen. Gleichzeitig gibt die Evo Fernsteuerung einen anhaltenden Piepton aus. Die nachfolgende Tabelle hilft Ihnen, Maßnahmen für die Fehlerbehebung zu finden. Abbildung 5-12 dient nur als Beispiel. Weitere Fehlercodes und Maßnahmen zur Fehlerbehebung entnehmen Sie der nachfolgenden Tabelle.



Abb. 5-12

Codes	Ursachen	Maßnahmen
E01	Batteriespannung liegt außerhalb des zulässigen Betriebsbereichs	Die Batterie nach den Betriebsvorgaben wechseln.
E02	Der Propeller wurde blockiert und der Strom des Antriebs ist zu hoch	Siehe Maßnahmen zu E10.
	Störungen des Antriebs durch Überstrom verursacht	Den Hauptschalter ausschalten und 10 Sekunden warten. Den Schalter wieder einschalten.
E06	Batteriespannung zu gering	Auch wenn diese Warnmeldung nicht mehr erscheint, ist die Leistung des Pod-Antriebs womöglich zu niedrig. Die Batterie muss dringend geladen werden.
E10	Der Propeller ist blockiert und der Motor wurde dadurch gestoppt	Den Hauptschalter ausschalten. Den Propeller von Fremdkörpern befreien. Den Propeller mit der Hand drehen. Falls er sich frei bewegen lässt, kann der Pod-Antrieb wieder eingeschaltet werden.

Codes	Ursachen	Maßnahmen
E11	Übertemperatur des Motors	Den Pod-Antrieb ausschalten und abwarten, bis die Temperatur wieder in den Normalbereich sinkt.
E12	Übertemperatur der Platine	Den Pod-Antrieb ausschalten und abwarten, bis die Temperatur wieder in den Normalbereich sinkt.
E22	Interne MCU-Verbindung gestört	Neustart durchführen und prüfen, ob der Fehler weiter besteht. Falls ja, kontaktieren Sie bitte Ihren zuständigen ePropulsion Vertragshändler.
E30	Der Positionsgeber des Gashebels ist fehlerhaft. Der Hebel muss neu kalibriert werden	Die Vorgehensweise der Kalibrierung entnehmen Sie bitte dem Kapitel 5.3.2 „Kalibrieren“.
E56	Die Verbindung zwischen Motor und Batterie ist fehlerhaft	Überprüfen, ob das Verbindungskabel zwischen dem Motor und der ePropulsion Batterie richtig angeschlossen ist. Falls ja, Neustart durchführen.
E60	Batteriestand der Evo Fernsteuerung reicht nicht aus	Mit einem Verbindungskabel die Evo Fernsteuerung mit dem Pod-Antrieb verbinden. Siehe hierzu das Kapitel 5.2.2 „Laden über Ladekabel“.
Anzeige aller Zeichen	Die Stromversorgung des Pod-Antriebs ist fehlerhaft	Die Batterie mit dem Pod-Antrieb verbinden. Danach den Hauptschalter einschalten.
	Nicht registriert	Siehe Kapitel 5.6 „Registrierung der Evo Fernsteuerung im Pod-Antrieb“. Die Evo Fernsteuerung erneut im Pod-Antrieb registrieren.



Wenn das Problem weiterhin besteht, wenden Sie sich bitte an Ihren ePropulsion-Vertragshändler.

## 6 Checkliste vor der Verwendung

---


1. Vergewissern Sie sich, dass der Propeller korrekt und fest am Pod-Antrieb montiert ist.
2. Vergewissern Sie sich, dass der Pod-Antrieb korrekt und fest am Boot montiert ist.
3. Vergewissern Sie sich, dass die Fernsteuerung und das Steuerrad in der richtigen Position installiert worden sind, bevor Sie das System einschalten.
4. Vergewissern Sie sich, dass sich der Geschwindigkeitsregler reibungslos und ohne Hindernisse bewegen lässt.
5. Überprüfen Sie vor dem Anschließen der Batterie, dass die Kontakte und die Kabel fehlerfrei sind.
6. Überprüfen Sie und vergewissern Sie sich, dass der Hauptschalter normal ein- und ausgeschaltet werden kann. Schalten Sie danach den Hauptschalter aus.
7. Vergewissern Sie sich, dass die Batterie über genügend Ladung verfügt.
8. Vergewissern Sie sich, dass die Fernsteuerung mit ausreichend Strom versorgt wird.



Vergewissern Sie sich, dass das Netzkabel trocken ist, bevor Sie es an die Batterie anschließen bzw. das System einschalten.

## 7 Den Pod-Antrieb starten


---

9. Gehen Sie die Checkliste durch.
10. Ziehen Sie den Not-Aus-Schalter von der Fernsteuerung ab.
11. Bringen Sie den Geschwindigkeitsregler in die Leerlauf-Stellung.
12. Verbinden Sie die Batterie mit dem Pod-Antrieb.
13. Wenn Sie die ePropulsion-Batterie verwenden, schalten Sie den Hauptschalter ein.
14. Drücken Sie die „“-Taste, um die Fernsteuerung einzuschalten.
15. Koppeln Sie die Fernsteuerung mit dem Pod-Antrieb
16. Stellen Sie ggf. die Voreinstellungen und die Batteriekonfiguration ein.
17. Befestigen Sie das Band des Not-Aus-Schalters an Ihrem Handgelenk oder Ihrer Rettungsweste und stecken Sie den Not-Aus-Schalter in die Fernsteuerung ein.
18. Drücken Sie den Geschwindigkeitsregler langsam nach vorne, um Fahrt aufzunehmen.

## 8 Den Pod-Antrieb ausschalten

---

Es wird empfohlen, den Pod-Antrieb wie folgt anzuhalten.

19. Bringen Sie den Geschwindigkeitsregler wieder in die Leerlauf-Stellung.
20. Warten Sie, bis der Motor anhält, und ziehen Sie dann den Not-Aus-Schalter ab.
21. Halten Sie die „“-Taste gedrückt, bis die Fernsteuerung ausgeschaltet ist.
22. Schalten Sie den Hauptschalter aus. Wenn der Pod-Antrieb nicht an eine SPIRIT-Batterie angeschlossen ist, schalten Sie bitte auch die Batterie aus, indem Sie den Ein/Aus-Schalter drücken.



Der Motor stoppt außerdem in den folgenden Situationen:

1. Der Geschwindigkeitsregler befindet sich in der Leerlauf-Stellung.
2. Der Not-Aus-Schalter wurde nicht richtig eingesteckt.
3. Das an die Batterie angeschlossene Netzkabel ist locker.
4. Die Kommunikation zwischen der Fernsteuerung und dem Pod-Antrieb ist unterbrochen.
5. Die Verbindung zwischen der Batterie und dem Pod-Antrieb ist unterbrochen.
6. Das System hat eine Fehlfunktion (z. B. der Motor ist blockiert oder die Batteriespannung ist zu niedrig).
7. Der Hauptschalter ist ausgeschaltet.

# 9 Funktion Stromerzeugung mit Wasserkraft

Evo Pod-Antriebe können die Batterie (nur original ePropulsion Batterien) mit Hilfe von Wasserkraft wieder aufladen (Rekuperation).

**Die Maschine wechselt in die Stromerzeugung mit Wasserkraft, wenn die folgenden Bedingungen erfüllt sind:**

1. Die Fernsteuerung ist so eingestellt, dass die Stromerzeugungsfunktion mit Wasserkraft eingeschaltet ist (standardmäßig aktiviert).
2. Die Evo Steuerung befindet sich in der NULL-Position.
3. Der Batteriestand (ePropulsion Batterie) liegt unter 90 %.
4. Wenn das Boot mit einer Fahrgeschwindigkeit von mehr als 6 km/h 4 Sekunden gefahren ist, startet die Rekuperation.
5. Rekuperation ist nur mit ePropulsion Batterien möglich.
6. Bei der Verwendung von E-Serie-Batterien müssen Kommunikationskabel angeschlossen werden.

**Wenn eine der folgenden Situationen vorkommt, stoppt die Rekuperation:**

1. Die Fernsteuerung ist so eingestellt, dass die Stromerzeugung mit Wasserkraft mit deaktiviert ist (standardmäßig aktiviert).
2. Die Fernsteuerung befindet sich im Zustand vorwärts/rückwärts (nicht im Leerlauf).
3. Das Boot fährt nicht oder fährt zu schnell (Pod Drive 1.0 Evo ist schneller als 30 km/h, PodDrive 3.0 Evo/6.0 ist schneller als 30 km/h).
4. Der Batteriestand ist höher als 90 %.



Bei Fremdbatterien ist die Rekuperation nicht möglich.

## Einstellung der Rekuperation

Bei einer bestehenden Verbindung zwischen der Evo Steuerung und dem Antrieb sowie im eingeschalteten Zustand sowohl der Evo Fernsteuerung als auch des Motors kann durch gleichzeitiges Drücken der Tasten „M“, „V“ und „OK“ in die Einstellungen der Rekuperation gewechselt werden. Anschließend kann der Status der Rekuperation durch Drücken der „OK“ Taste geändert werden. „En“ steht für „Aktiviert“. „Dis“ steht für „Deaktiviert“.

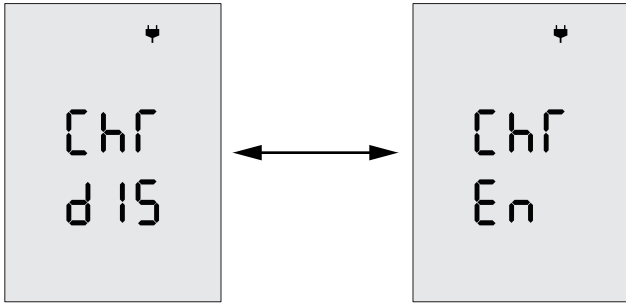





Abbildung 9-1



# 10 Wartungsaufwand

## 10.1 Propellerwartung

-  Stellen Sie sicher, dass die Batterie vor jeder Überprüfung abgeklemmt wird, da ein sich drehender Propeller gefährlich ist.
-  Tragen Sie Handschuhe, um Ihre Hände vor den scharfen Propellerkanten zu schützen.
-  Überprüfen Sie regelmäßig, ob der Propeller beschädigt ist, ob sich eine Angelschnur verfangen hat. Der Motor hat keine Garantie mehr, da die Angelschnur Wasser in den Motor eindringt.

Überprüfen Sie den Propeller anhand der folgenden Tipps und lesen Sie das Kapitel 2 Den Propeller prüfen, um den Propeller bei Bedarf durch einen neuen zu ersetzen.

1. Propellerblätter auf Verschleiß und andere Schäden prüfen.
2. Stift auf Verschleiß und Beschädigung prüfen.
3. Prüfen Sie, ob sich Wasserpflanzen, Fischernetze oder Schnüre am Propeller verfangen haben.

## 10.2 Austausch der Anode

Bitte orientieren Sie sich an der folgenden Abbildung, um bei Bedarf eine neue Anode einzusetzen.

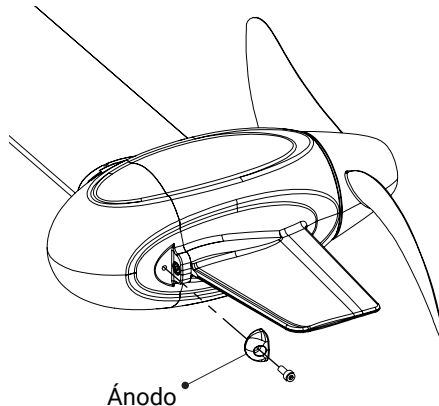


Abbildung 10-1 Anode des Pod Drive 1.0 Evo austauschen

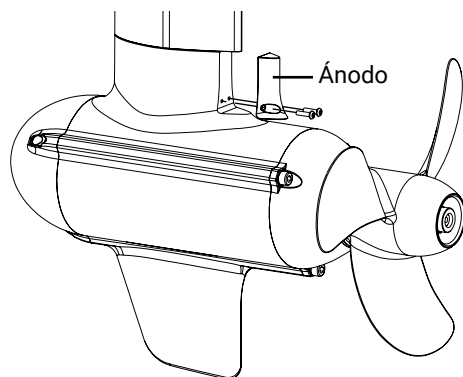


Abbildung 10-2 Anode des Pod Drive 6.0 Evo austauschen

# 11 Transport und Aufbewahrung

Vor einem Transport über eine größere Entfernung oder einer Langzeitlagerung sollten Sie den Pod-Antrieb in der Originalverpackung von ePropulsion verpacken.

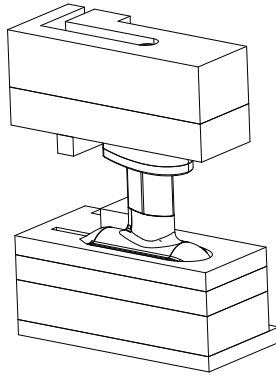




Abbildung 11-1

-  Vergewissern Sie sich vor Transport und Lagerung, dass der Pod-Antrieb ausreichend vor Feuchtigkeit geschützt ist.
-  Bewahren Sie den Pod-Antrieb an einem gut belüfteten und trockenen Ort ohne direkte Sonneneinstrahlung.

# 12 Notsituationen

---

## 12.1 Kollision

Berührt der Pod ein Objekt unter Wasser, gehen Sie bitte wie folgt vor:

1. Stoppen Sie den Motor sofort und schalten Sie dann den Hauptschalter aus.
2. Überprüfen Sie die mechanische Struktur, um festzustellen, ob Schäden vorliegen.
3. Kehren Sie mit kleiner Kraft zum nächsten Hafen oder Anleger zurück.
4. Wenden Sie sich an Ihren Händler, um den Pod überprüfen zu lassen.

## 12.2 Niedriger Batteriestand

Wenn die Batteriespannung unter 42 V liegt, wird die Leistung durch Spannungsabfall begrenzt. Wenn die Batteriespannung unter 39 V fällt, stoppt der Pod-Antrieb automatisch, um eine Tiefenentladung der Batterie zu verhindern. Wenn dies geschieht, während der Pod-Antrieb weit vom Ufer entfernt ist und keine alternative Batterie vorhanden ist, wird empfohlen, zu warten, bis sich die Batteriespannung auf 42 V oder höher erholt hat. Wenn die Spannung auf ein sicheres Niveau ansteigt, können Sie das Pod-System neu starten, indem Sie die Leistung auf 1000 W begrenzen.

## 13 Gewährleistung

Die Fa. ePropulsion übernimmt Garantie für alle durch autorisierte Händler erworbenen ePropulsion Produkte. Der Garantiefumfang beinhaltet kostenlosen Umtausch von Produkten, die schwerwiegende Qualitätsmängel aufweisen, Vertragsbedingungen nicht erfüllen bzw. kostenlosen Reparatur- oder Umtauschservice von fehlerhaften oder fehlenden Bauteilen. Die Festlegung der Garantiebedingungen dient zum Schutz der Verbraucherrechte.

### 13.1 Garantiebedingungen

ePropulsion bietet für seine Produkte ab dem Kaufdatum für einen bestimmten Zeitraum Garantieleistungen. Treten Qualitätsmängel innerhalb der Garantiefrist auf, kann der Benutzer seinen Garantieanspruch gegenüber der Fa. ePropulsion geltend machen.

Produkt/Bauteil	Frist
Pod Drive 1.0 Evo Pod Drive 3.0 Evo Pod Drive 6.0 Evo	2 Jahre ab dem Kaufdatum (nur bei nicht-gewerblicher Nutzung)
Reparierte oder umgetauschte Bauteile	Drei Monate ab dem Datum der Reparatur oder des Umtauschs. Anmerkung: 1. Wenn diese drei Monate die Original-Garantiefrist nicht überschreiten, dann bleibt die Garantie für diese reparierten bzw. umgetauschten Bauteile für 1 Jahr (ab dem Kaufdatum des Produkts) gültig. 2. Wenn diese drei Monate die Original-Garantiefrist überschreiten, dann bleibt die Garantie für diese reparierten bzw. umgetauschten Bauteile für 3 Monate (ab dem Servicedatum der Reparatur oder des Umtauschs) gültig.



Um zu überprüfen, ob die Garantiebedingungen erfüllt sind, muss der Benutzer die der Verpackung beiliegende Garantiekarte ausfüllen.



Das Typenschild des Produkts darf nicht beschädigt werden. Die Seriennummer muss dem Typenschild entnommen werden. Das Typenschild darf auf keinen

Fall vom Produkt entfernt werden. Für Produkte ohne das Original-Typenschild erlischt der Garantieanspruch gegenüber der Fa. ePropulsion.



Die Garantie kann nur gewährleistet werden, wenn die vom Benutzer gemachten Angaben richtig und vollständig sind.



Der Benutzer muss die gültige Seriennummer seines Produkts, die ausgefüllte Garantiekarte sowie den von einem autorisierten Vertragshändler ausgestellten Kaufbeleg einreichen.



Das gültige Kaufdatum wird durch den Original-Kaufbeleg des ersten Käufers bestimmt.



Die Garantiekarte darf nicht weitergegeben werden und wird bei Verlust nicht ersetzt.

## 13.2 Von der Garantie ausgenommen


Das Produkt muss beim Einschicken zur Reparatur ausreichend verpackt sein. Es wird empfohlen, die Original-Verpackung von ePropulsion zu verwenden. Wenn Bauteile durch unzureichende Verpackung beim Einschicken beschädigt werden, unterliegen diese Bauteile nicht den vereinbarten Garantieleistungen.

Darüber hinaus werden durch folgende Situationen verursachte Störungen oder Schäden nicht als Garantiefall anerkannt, auch wenn die Garantiefrist noch nicht abgelaufen ist:

- Bedienung, die mit dieser Bedienungsanleitung nicht konform ist.
- Unfälle, unsachgemäße Handhabung, absichtliche Fehlnutzung, Wassereintritt, schwere physikalische Defekte oder eigenmächtige Reparaturen.
- Herunterfallen, unsachgemäße Instandhaltung oder Lagerung.
- Für normalen Verschleiß, der die Funktionen des Produkts nicht beeinflusst, ist ebenfalls keine Garantieleistung möglich.
- Für Verschleiß- und Zubehörteile wird keine Garantie geleistet.

## 13.3 Abwicklung eines Garantiefalls

Bei der Feststellung von Qualitätsmängeln können Sie gemäß dem folgenden Verfahren Ihren Garantieanspruch bei einem Vertragshändler geltend machen:

1. Die Garantiekarte richtig und vollständig ausfüllen. Die Karte zusammen mit einem gültigen Kaufbeleg bei einem autorisierten ePropulsion Vertragshändler einreichen. Für einen Garantiefall sind folgende Unterlagen notwendig: die Garantiekarte, die Seriennummer des Produkts und der Kaufbeleg.
  2. Nach der Bestätigung des Garantieanspruchs geben Sie das fehlerhafte Produkt bei einer autorisierten Servicestelle ab. Achten Sie darauf, dass das Typenschild unbeschädigt ist.
  3. Der Vertragshändler der Fa. ePropulsion kümmert sich um die Fehlerdiagnose und die Reparatur des defekten Bauteils oder veranlasst einen Umtausch.
  4. Bei einem Garantiefall müssen Sie keine Kosten für die Reparatur oder den Umtausch übernehmen. Sämtliche Versandkosten während der Abwicklung muss jedoch der Benutzer selbst tragen.
  5. Nach sorgfältigen Prüfungen führen die Vertragshändler der Fa. ePropulsion Reparaturen oder Umtausch der fehlerhaften oder defekten Bauteile durch.
  6. Bei einer Ablehnung des Garantieanspruchs erhalten Sie von Ihrem ePropulsion Vertragshändler für die fälligen Reparaturarbeiten einen Kostenvoranschlag, in dem auch die gesamten Versandkosten enthalten sind. Der Vertragshändler führt die Reparatur erst nach dem Erhalt Ihrer Bestätigung durch.
-  Nach dem Ablauf der Garantiefrist gewährleisten wir unseren Kunden, ihre Reparaturen zu einem günstigsten Preis von Vertragshändlern der Fa. ePropulsion durchführen zu lassen.











Scan to register  
your product



Product  
tutorial

Vielen Dank, dass Sie diese Bedienungsanleitung gelesen haben.  
Wenn Sie Fragen haben oder beim Lesen Unklarheiten  
aufgekommen sind, zögern Sie bitte nicht, uns zu kontaktieren.  
Wir freuen uns, Ihnen behilflich sein zu können.

Thanks for reading this user manual.

If you have any concerns or find any problems while reading,  
please don't hesitate to contact us. We are delighted to offer  
service for you.

**Guangdong ePropulsion Technology Limited**

**Website: [www.epropulsion.com](http://www.epropulsion.com)**

**Email: [service@epropulsion.com](mailto:service@epropulsion.com)**