



Fixing Guide

For Navy 6.0R Remote Controller

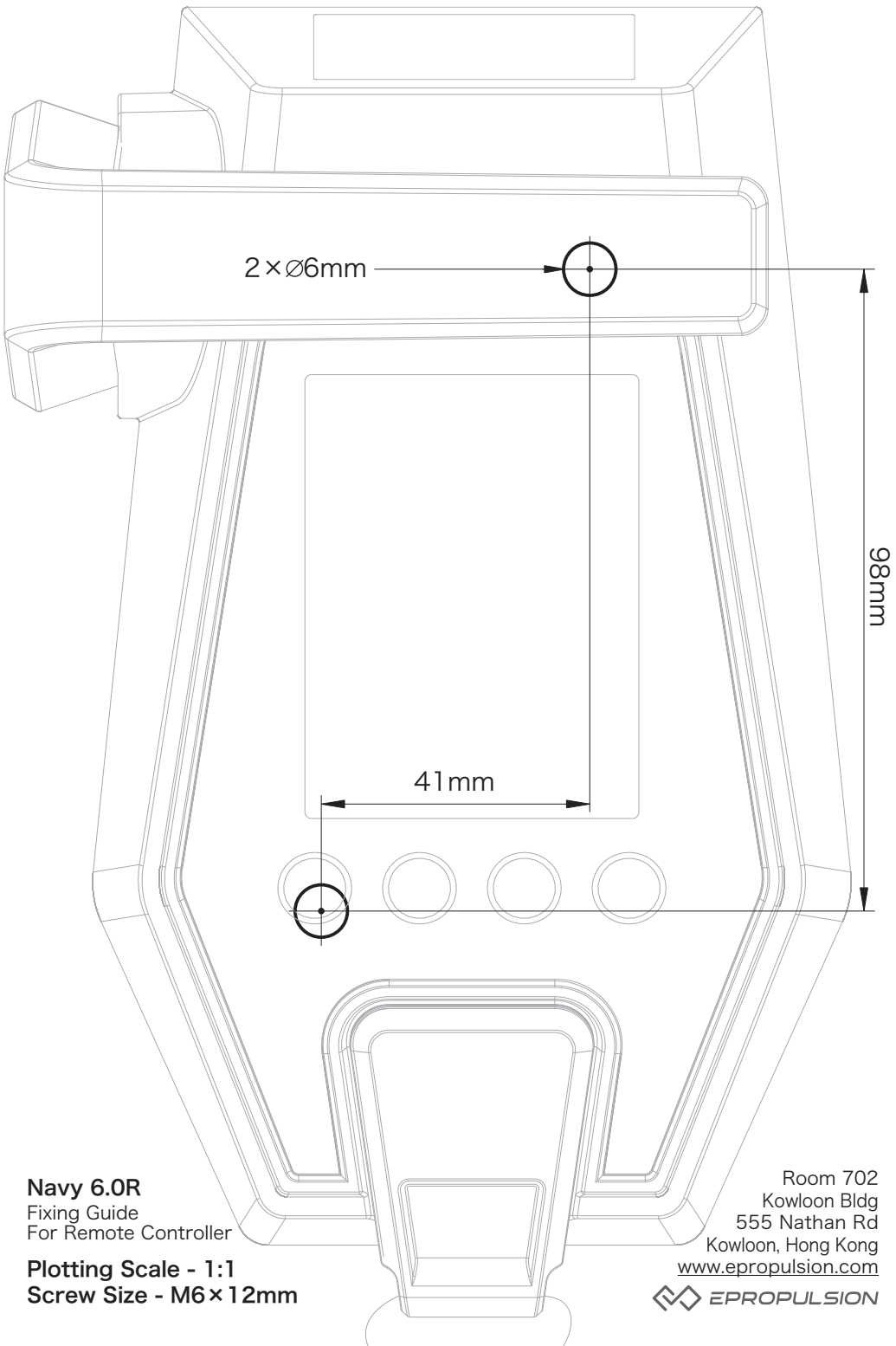
This is a guide for fixing the remote controller on a flat surface of the boat. Please refer to the back-side of this card. The two bold circles indicate position of the two 5mm-deep-holes of the remote controller. The M6×12mm screws in the package can be used to screw in the holes. If the length doesn't match, users should adopt other screws.

Please contact your local dealer or service@epropulsion.com if there are any questions or feedback regarding this stationary operation. Your feedback is highly appreciated.

ePropulsion Technology Ltd.

www.epropulsion.com

Room 702, Kowloon Building
555 Nathan Rd, Kowloon, Hong Kong



2 × Ø6mm

98mm

41mm

Navy 6.0R

Fixing Guide
For Remote Controller

Plotting Scale - 1:1

Screw Size - M6 × 12mm

Room 702
Kowloon Bldg
555 Nathan Rd
Kowloon, Hong Kong
www.epropulsion.com